

Product Specification Bulletin

315Watt Ceramic Lamps

PGZX18 Clear

Lamp Current (A):3.15A
 Ignitor Voltage:3-4.0KV
 Luminaire Rating: Open
 Burning Position: Universal

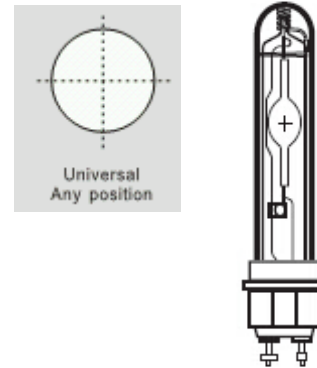
Lamp Description:MPC315W/U/T12/UVS/PS930 (Re-PGZX18) Product No.1315002

Lamp Type: Metal Halide Lamps (Ceramic Lamp)

Control Gear: C182/O or **Electronic Ballast**

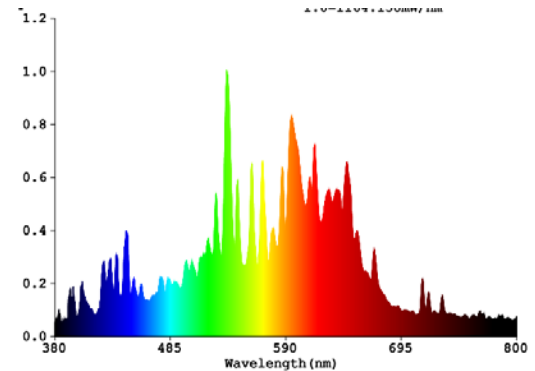
Performance Data

Light Output (Lumens @ 100 hours)	33000
Lamp Lumens Per Watt	105
Rated Life (Hrs. @ 10 Hr. /Start)	20000
Correlated Colour Temperature (K)	3200K
Colour Rendering Index (CRI) or (Ra)	≥80
Typical Hot Restart Time (Minutes)	6-8
Burning Position	Universal



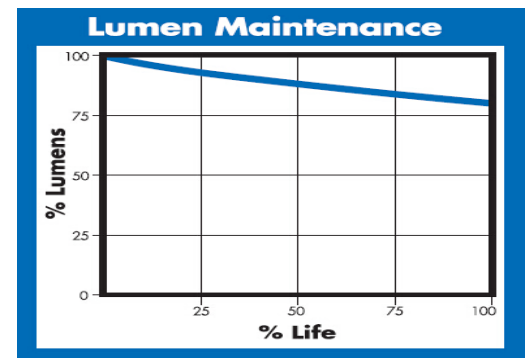
Physical Data / Requirements

Base Designation	PGZX18
Bulb Designation	T12
Bulb Diameter (mm)	1.5”(38mm)
Max. Overall Length (mm)	7.6”(193mm)
Light Centre Length (mm)	3.5”(89mm)
Max. Base Temperature (°C)	250
Max. Bulb Temperature (°C)	350
Luminaire Type	Open /Enclosed



Lamp Electrical Data / Requirements

ANSI Standard	C182/O
Lamp Wattage (W)	315W
Lamp Operating Voltage (V)	100V
Lamp Operating Current (Amps)	3.15A
Min. Open Circuit Voltage (RMS)	198V
Min. - Max. Starting Pulse (Peak KV)	3-4.0
Min. Pulse Width at 2700V (microseconds)	-
Min. Pulse Rate Per 1/2 cycle	-
Pulse Position (Electrical Degrees)	-



Notes: The specification contains data about typical performance on 60Hz sine wave ballast at nominal power. Actual values may depend on ballast and applications. (Nominal color temperature is based on horizontal operation of the lamp. Off-horizontal positions will result in warmer color temperature.)

UVA:4.65mw/cm2; UVB:0.02mw/cm2; UVC:0.02mw/cm2