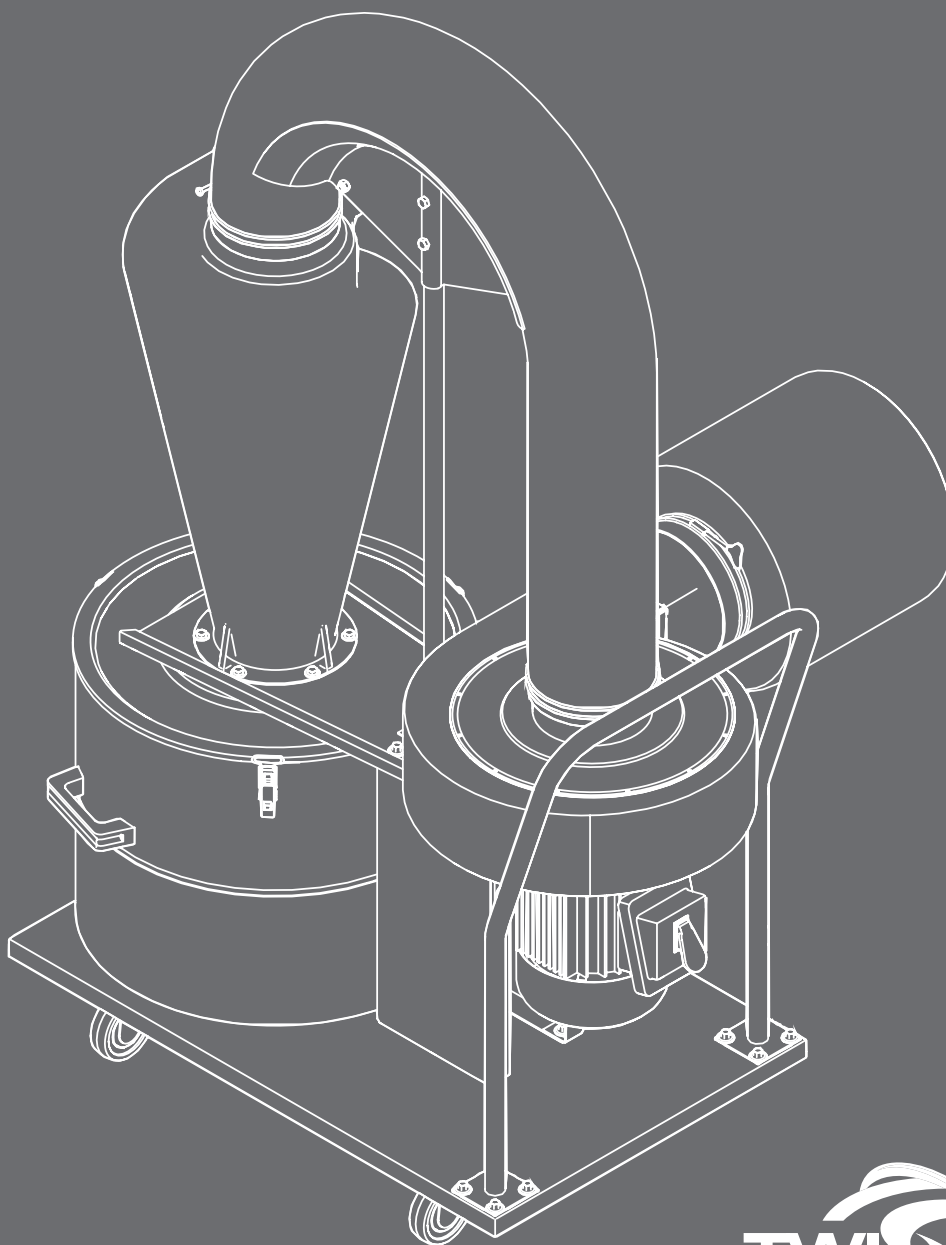


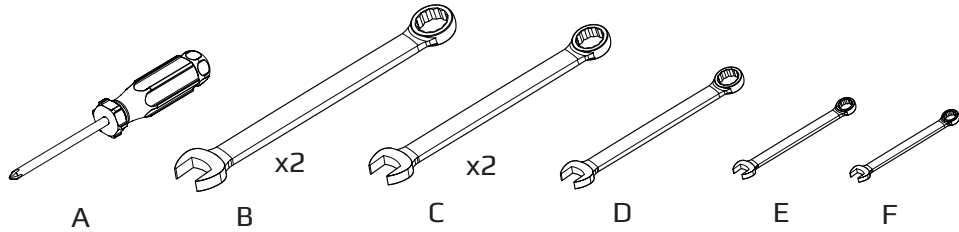
# Trim Saver

## Assembly Instructions

### CS-18 Manual

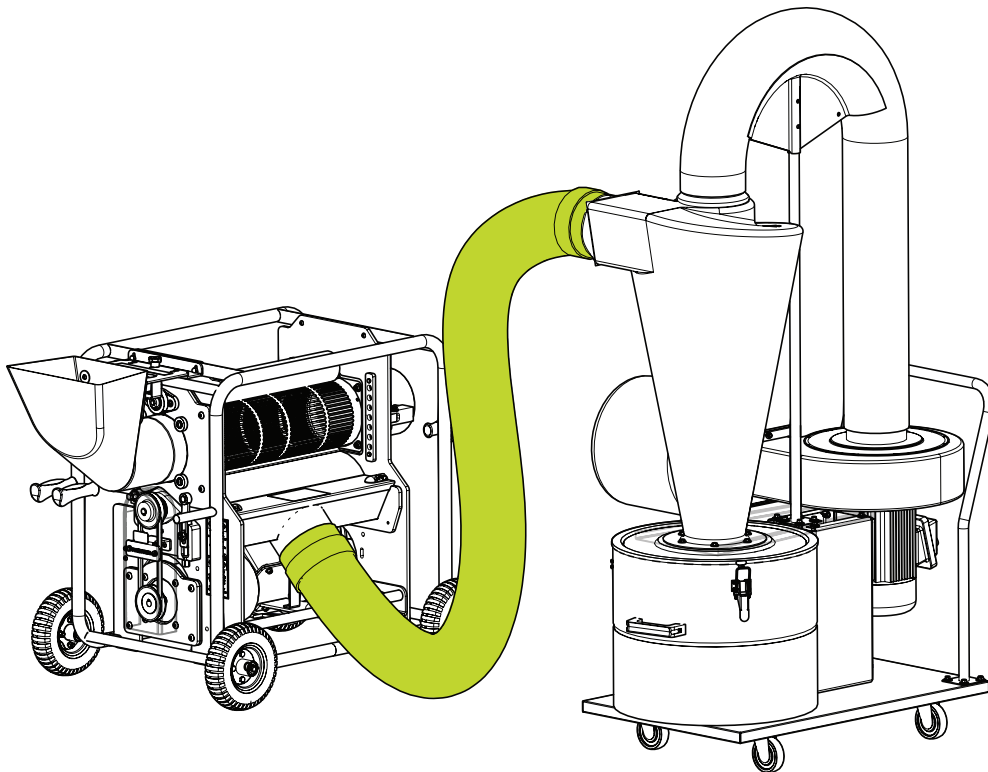


## TOOLS NEEDED

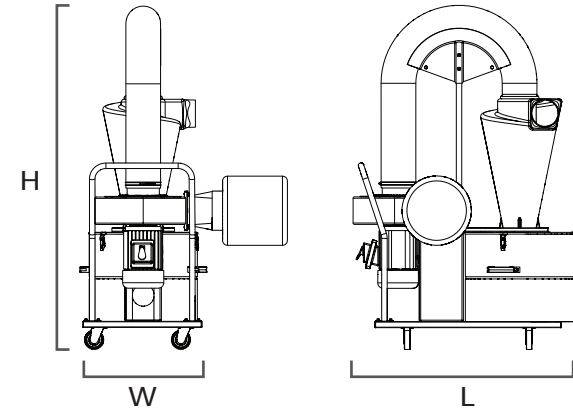


REF	DESCRIPTION	
A	Phillips Head Screw Driver	1
B	1/2 Inch Wrench	2
C	7/16 Inch Wrench	2
D	10 mm Wrench	1
E	8 mm Wrench	1
F	7 mm Wrench	1

## TWISTER T2 LEAF TRIMMER HOSE INSTALLATION



## DIMENSIONS



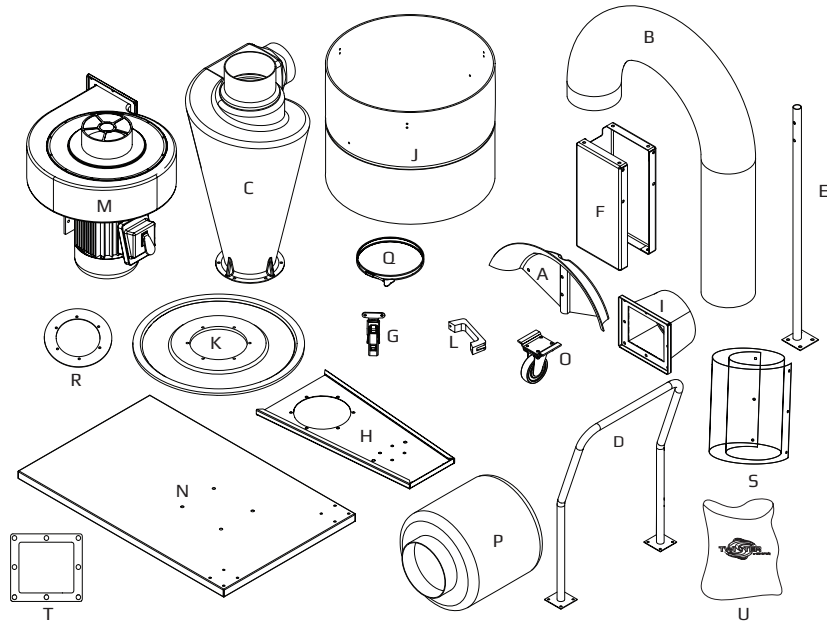
CS-18	
Length	39in / 99cm
Width	22in / 55.8cm
Height	72in / 183cm

## ELECTRICAL SPECIFICATION

CS-18	
Motor	3 HP
Input Voltage	240V
Amps (running)	15A
Amps (startup)	49A
Power Cord	AWG 12-3
Weight	170lbs/77kg
Airflow Capacity	1700 CFM
Static Pressure	10in of H2O
Impeller	12.75in / 32.4cm
Inlet	6in / 15.3cm

CS-18	
Connector (plug)	NEMA 6-20P
<b>Additional Requirements</b>	
Extension Cord	12-3 AWG (minimum AWG size) 15m / 50ft max Length

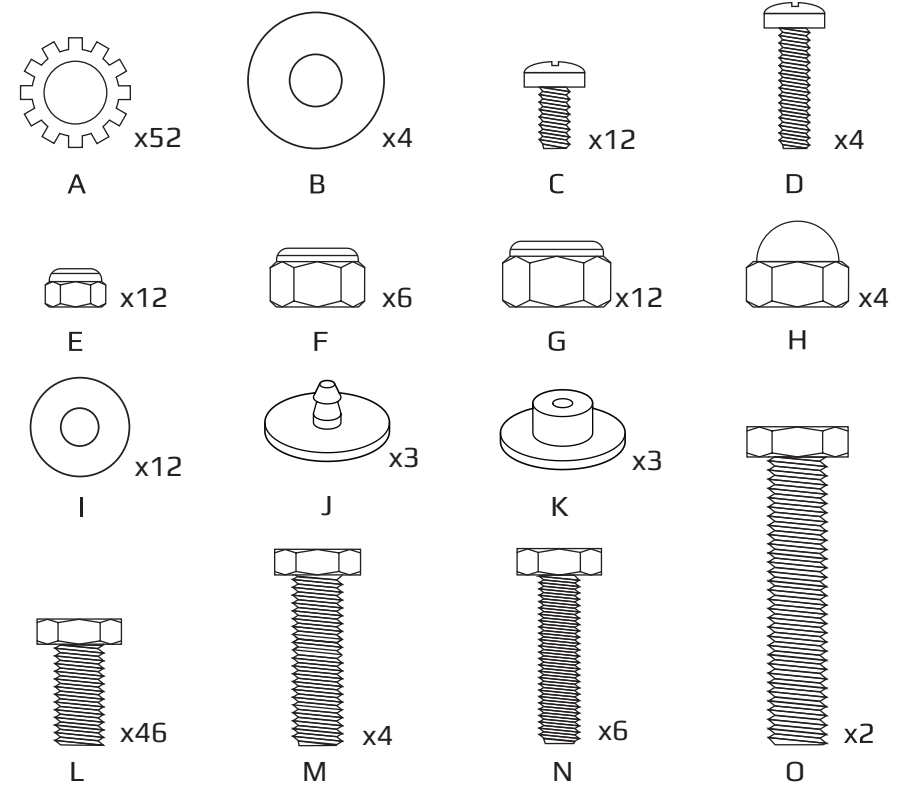
## COMPONENT PARTS



REF	PART NO	DESCRIPTION	QTY
A	23-0198-00	HOSE SADDLE	2
B	23-0199-00	6 INCH HOSE	2
C	23-0203-00	VACUUM SEPARATOR XL	1
D	23-0204-00	CART HANDLE	1
E	23-0231-00	SADDLE SUPPORT CS-18	1
F	23-0206-00	MOTOR SUPPORT	1
G	23-0207-00	LID LATCH	3
H	23-0208-00	LID HOLDER	1
I	23-0209-00	FILTER ADAPTER	1
J	23-0210-00	BIN	1
K	23-0211-00	BIN LID	1
L	23-0212-00	BIN HANDLE	2
M	23-0214-00	3HP VACUUM MOTOR	1
N	23-0215-00	BASE PLATE	1
O	23-0146-00	CASTER	4
P	23-0217-00	FILTER BAG	1
Q	23-0218-00	FILTER CLAMP	1
R	23-0226-00	SEPARATOR GASKET	2
S	23-0228-00	BIN INSERT	1
T	23-0230-00	FILTER ADAPTER GASKET	1
U	23-0133-03-P	CLEAR VACUUM BAG	1

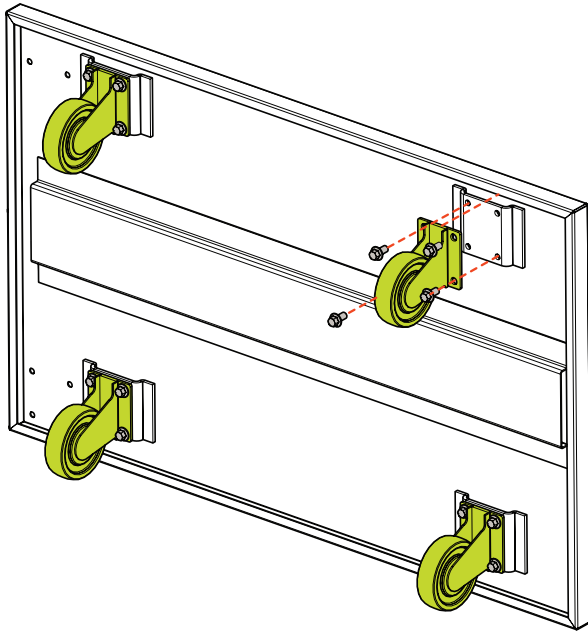
## FASTENERS

KEEP FASTENERS IN LABELLED BAGS, ASSEMBLY INSTRUCTIONS DESCRIBE WHERE EACH PACKAGE IS USED.



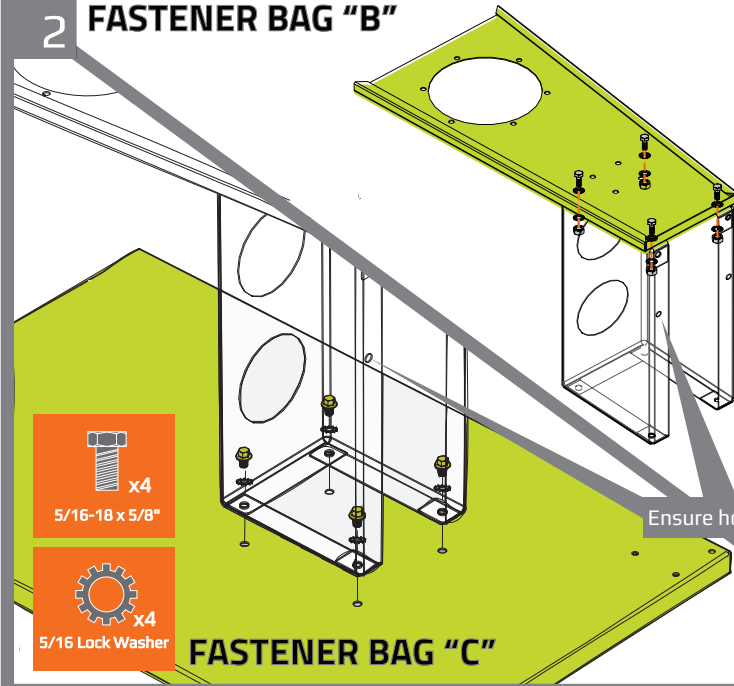
REF	PART NO	DESCRIPTION	QTY
A	13-02-000411	5/16 Lock Washer	52
B	13-0018-00	5/16 Flat Washer	4
C	13-05-100408	M4 x 8MM Phillips Head	12
D	13-05-142058	1/4-20 x 5/8" Truss Screw	4
E	13-03-000400	M4 Nyloc Nut	12
F	13-0062-00	1/4-20 Nut	6
G	13-0064-00	5/16-18 Nyloc Nut	12
H	13-0065-00	1/4-20 Acorn Nut	4
I	13-02-000014	1/4 Flat Washer	12
J	13-13-000205	Plastic Rivet Male	3
K	13-13-000206	Plastic Rivet Female	3
L	13-08-516158	5/16-18 x 5/8" Hex Head Bolt	46
M	13-08-516110	5/16-18 x 1" Hex Head Bolt	4
N	13-08-142110	1/4-20 x 1" Hex Head Bolt	6
O	13-08-516115	5/16-18 x 1.5" Hex Head Bolt	2

# 1 FASTENER BAG "A"



- x16  
5/16-18 x 5/8"
- x16  
5/16 Star Lock Washer

# 2 FASTENER BAG "B"



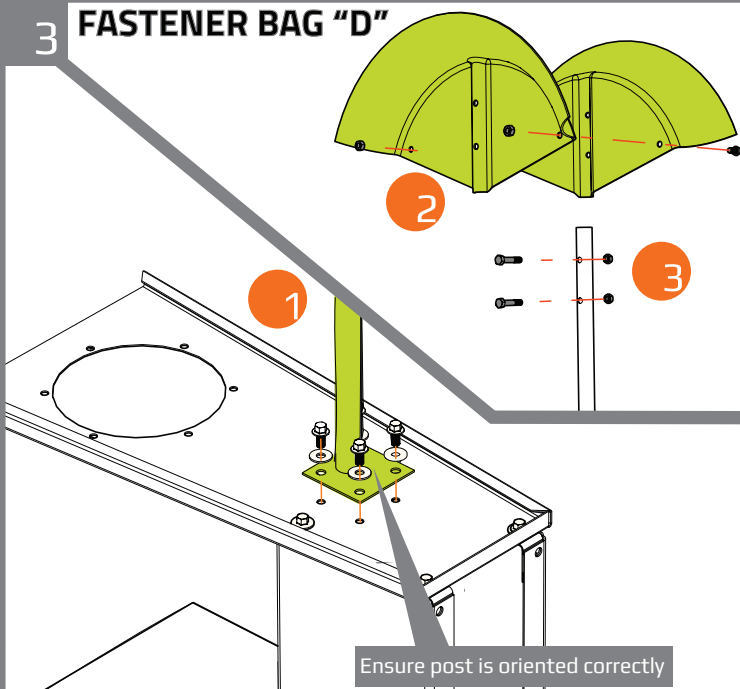
- x4  
5/16-18 x 5/8"
- x4  
5/16 Lock Washer

- x4  
5/16-18 x 5/8"
- x8  
5/16 Star Lock Washer
- x4  
5/16 Nyloc Nut

Ensure holes are on this side

# FASTENER BAG "C"

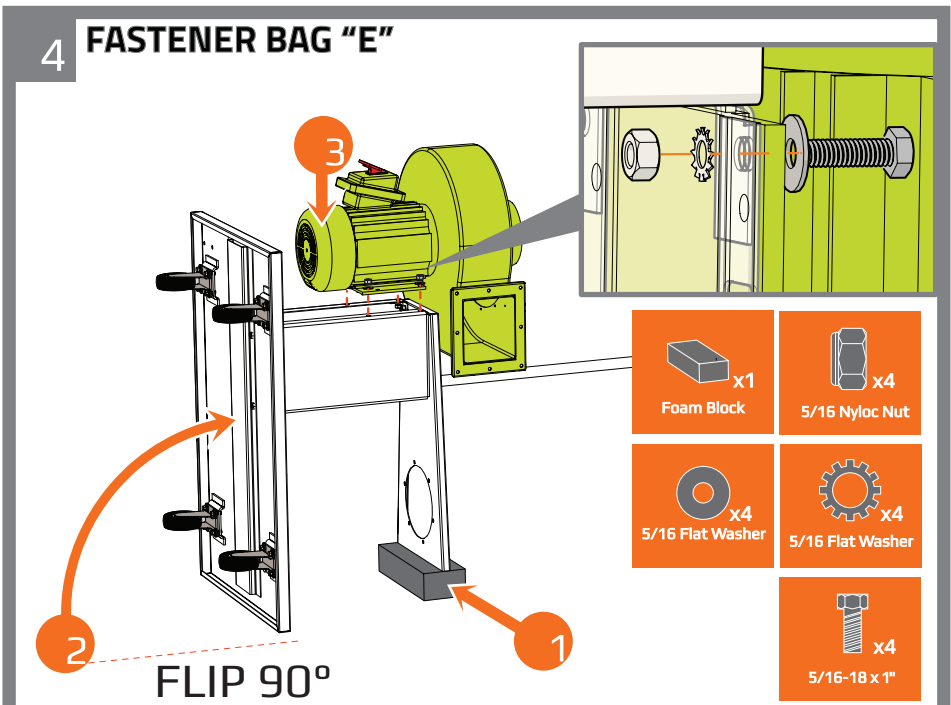
# 3 FASTENER BAG "D"



- x2  
5/16-18 x 5/8"
- x2  
5/16-1.5" Bolt
- x4  
5/16 Nyloc Nut
- x4  
5/16-18 x 5/8"
- x4  
5/16 Lock Washer

Ensure post is oriented correctly

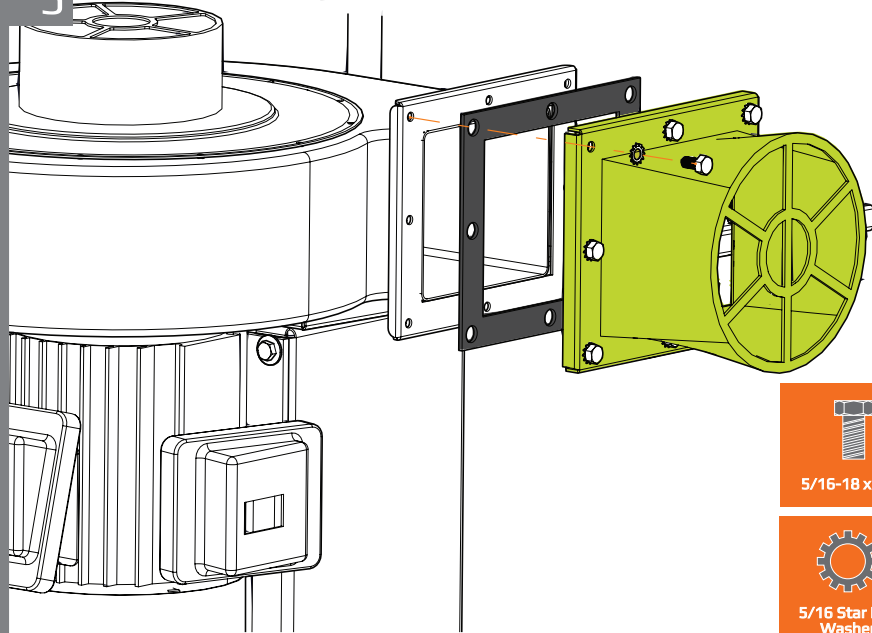
# 4 FASTENER BAG "E"





FLIP 90°

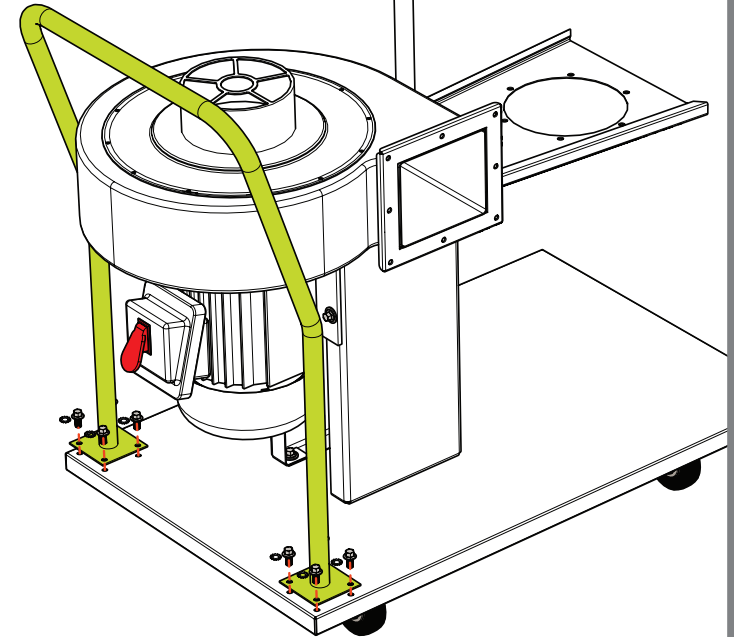
- x1  
Foam Block
- x4  
5/16 Nyloc Nut
- x4  
5/16 Flat Washer
- x4  
5/16 Flat Washer
- x4  
5/16-18 x 1"



### 5 FASTENER BAG "F"



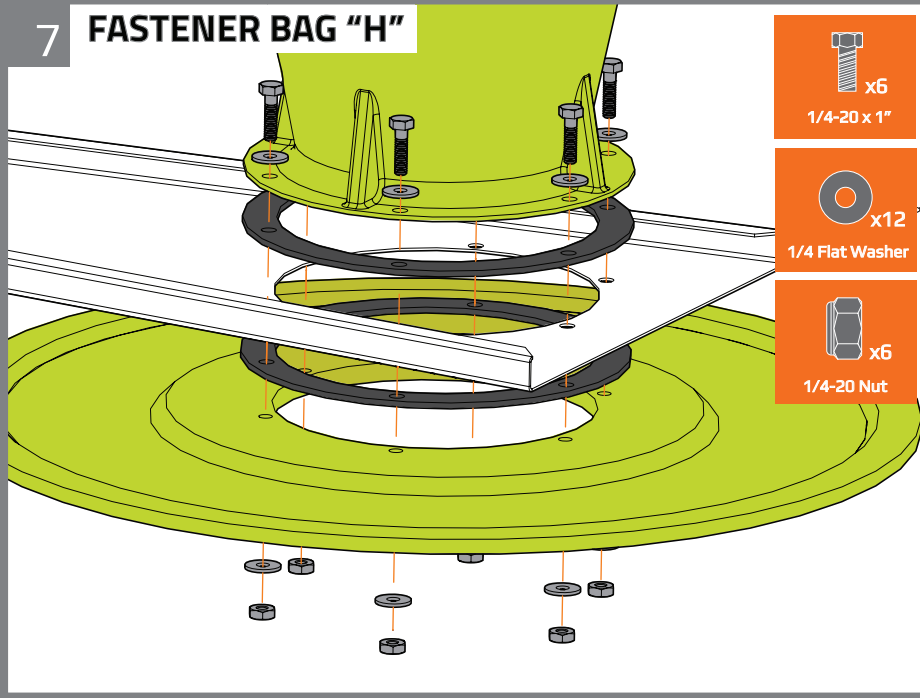
-  x8  
5/16-18 x 5/8"
-  x8  
5/16 Star Lock Washer

### 6 FASTENER BAG "G"



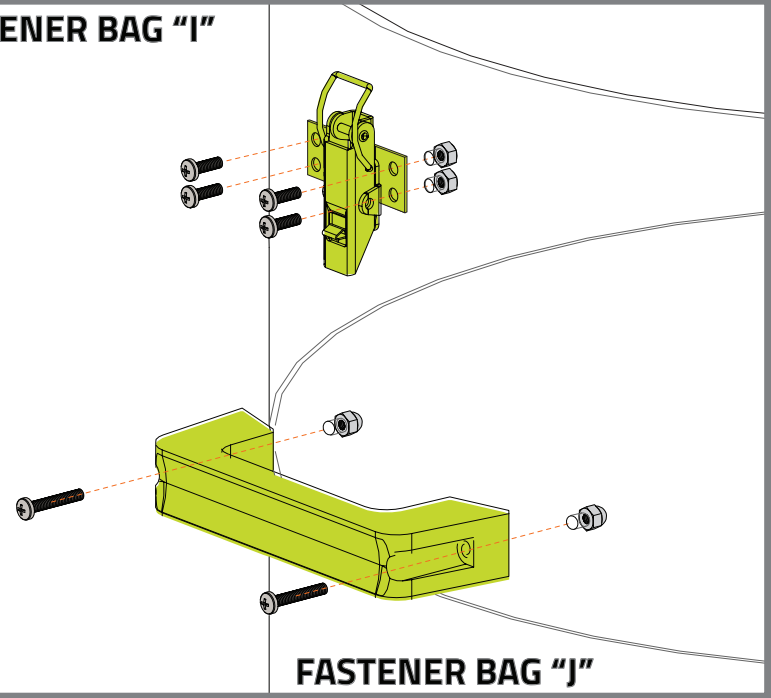
-  x8  
5/16-18 x 5/8"
-  x8  
5/16 Star Lock Washer

### 7 FASTENER BAG "H"



-  x6  
1/4-20 x 1"
-  x12  
1/4 Flat Washer
-  x6  
1/4-20 Nut

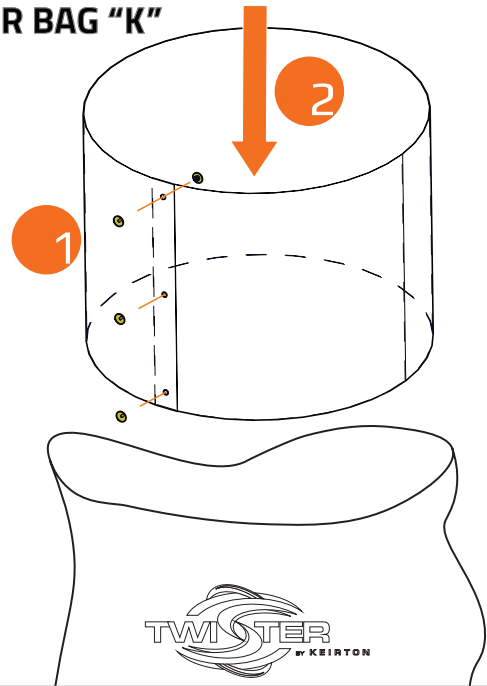
### 8 FASTENER BAG "I"



-  x12  
M4 Nyloc Nut
-  x12  
M4 8mm Phillips Screw
-  x4  
1/4 5/8" Truss Screw
-  x4  
1/4 Acorn Nut

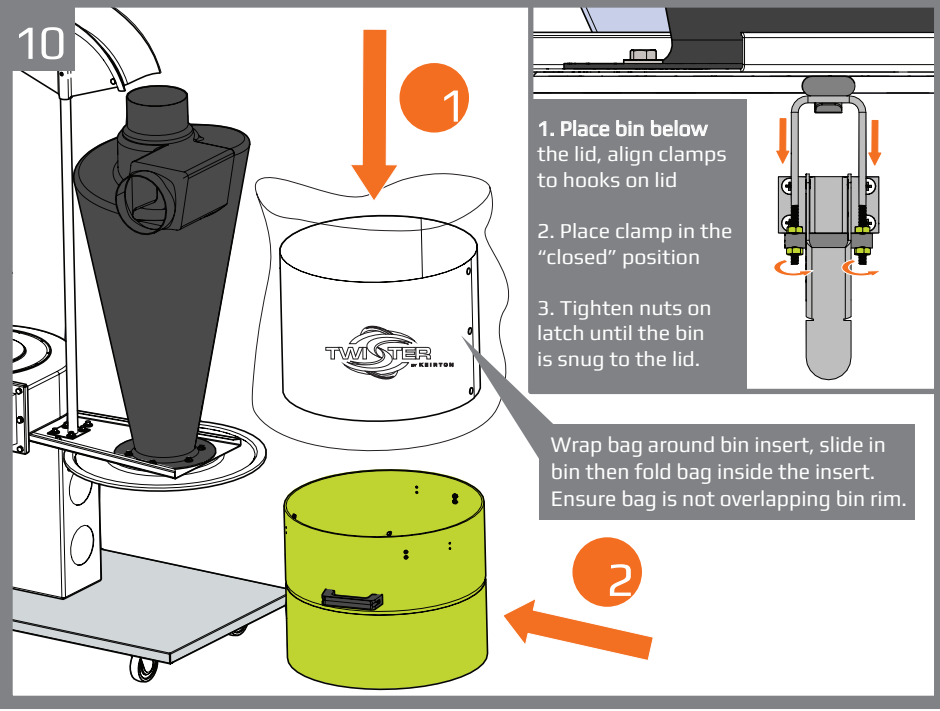
### FASTENER BAG "J"

# 9 FASTENER BAG "K"

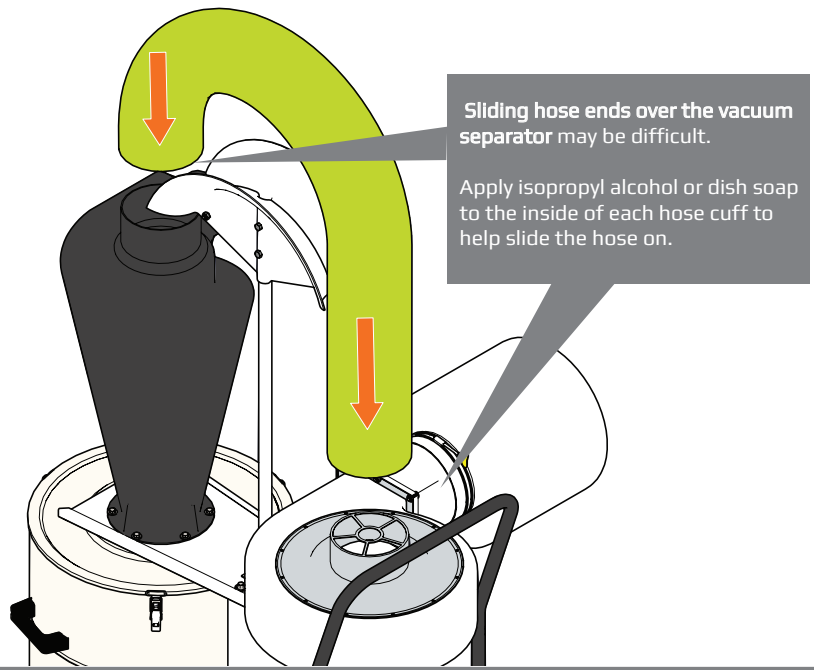


-  x3  
MALE RIVET
-  x3  
FEMALE RIVET

# 10



# 11



# 12

