



**DOSATRON®**

■ ■ ■ ■ ■ *Because life is powered by water®*

**QUICK START UP**

**D132**

**132 US gpm - 30 m<sup>3</sup>/h**

*Congratulations on your new Dosatron.  
Please read the following important information.*

**CUSTOMER SERVICE  
(NORTH & CENTRAL AMERICA)  
DOSATRON INTERNATIONAL, LLC**

---

2090 SUNNYDALE BLVD. CLEARWATER - FL 33765 - USA  
Tel. 1-727-443-5404 / 1-800-523-8499 - Fax 1-727-447-0591  
Site web: [www.dosatronusa.com](http://www.dosatronusa.com)

This document does not form a contractual engagement on the part of Dosatron International and is for information only. Dosatron International reserves the right to alter product specification or appearance without prior notice.

© DOSATRON INTERNATIONAL S.A.S. 2019

**D132**

## CAUTION

- When connecting a DOSATRON either to the public water supply or to its own water source, you must respect the regulations in force concerning protection of the source i.e. backflow prevention, etc.
- Contact local authorities for requirements of backflow prevention.
- When installing, operating, and maintaining the DOSATRON water powered metering pump, keep safety considerations foremost. Use proper tools, protective clothings, and eye protection when working on the equipment and install the equipment with a view toward ensuring safe operation.
- Follow the instructions in the manual and take additional safety measures appropriate to the liquid being pumped and the temperature of the water that powers the DOSATRON. Be extremely careful in the presence of hazardous substances (e.g. corrosives, toxins, solvents, acids, caustic, flammables, etc.).
- Before applying any aggressive chemicals, please consult your distributor to confirm compatibility with the dosing pump.

 **Hand tighten. No tools needed.**

## RECOMMENDATIONS

**DO NOT USE THIS UNIT WITHOUT A 200-120 MESH  
[80-130 MICRON] WATER FILTER\*  
OR YOUR WARRANTY WILL BE VOID.**

\*The 200-120 mesh [80-130 micron] water filter (sold separately) protects your unit from debris in the water that causes scoring to the piston and housing.

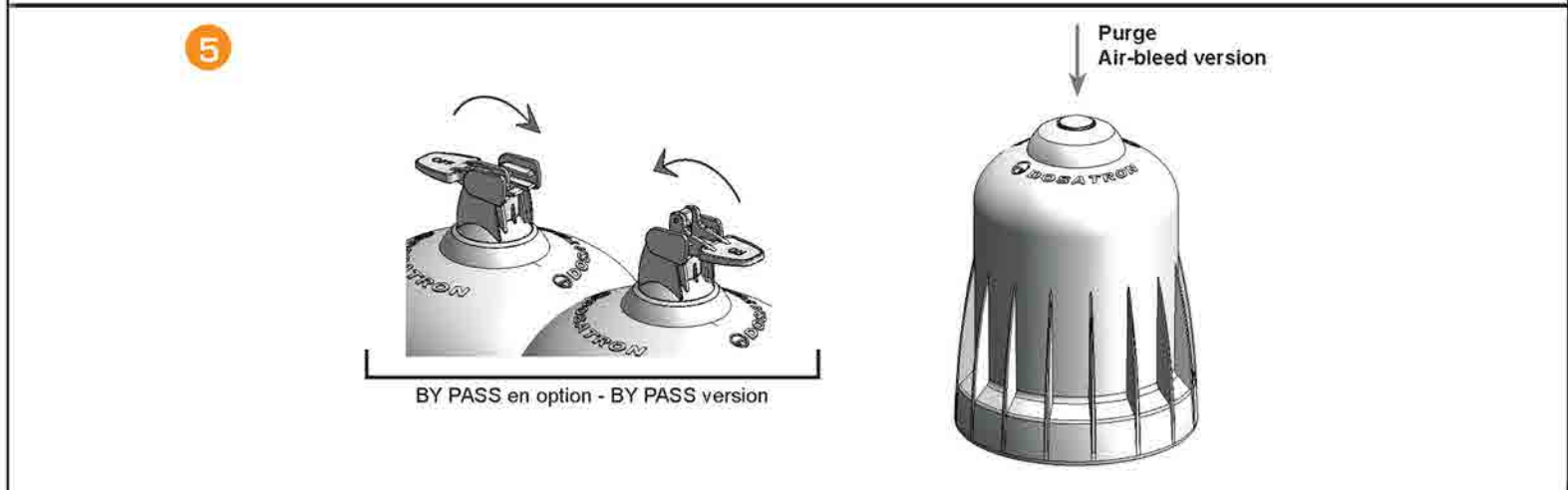
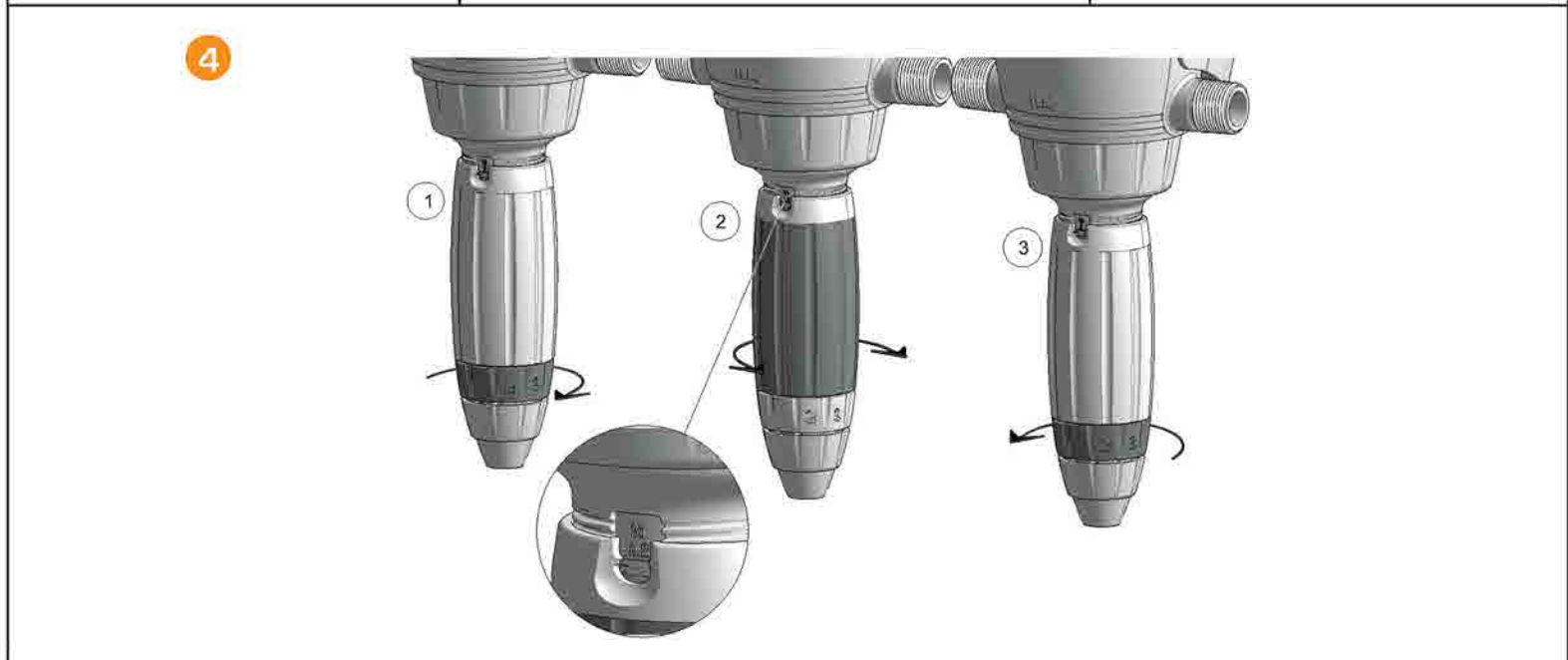
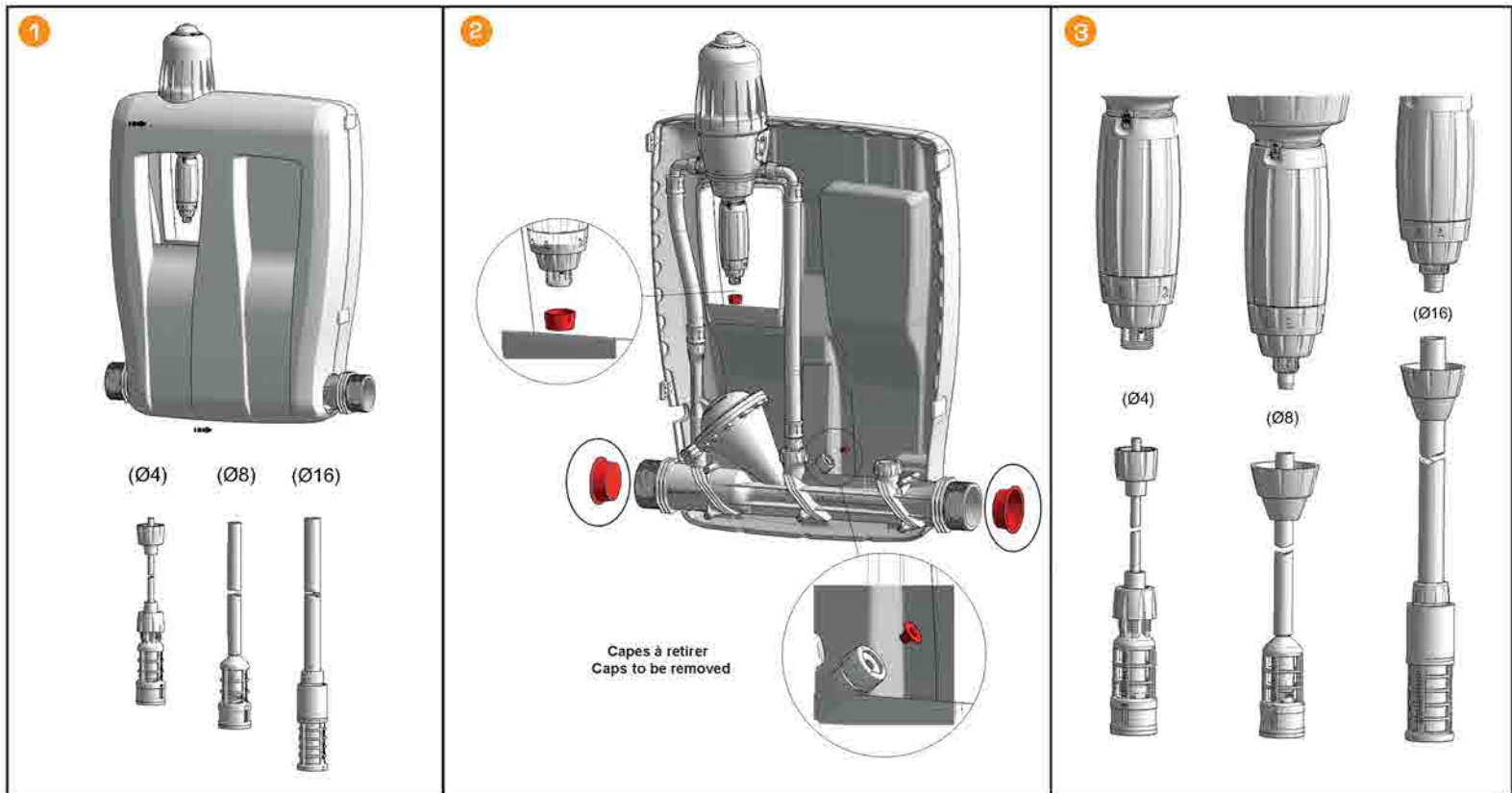
**KNOW YOUR WATER FLOW!  
GRADUALLY TURN ON THE WATER.**

**COUNT THE NUMBER OF CLICKS IN 15 SECONDS.  
DO NOT EXCEED 46\* CLICKS.**

### CLICK CHART

Clicks/15 sec	gpm	l/h
10	28	6000
12	33,6	8000
16	45	10200
32	90	20400
46	132	30000

 **MAXIMUM PRESSURE 87 PSI [6 bar]**



Maximum: 45 clicks/15 sec.

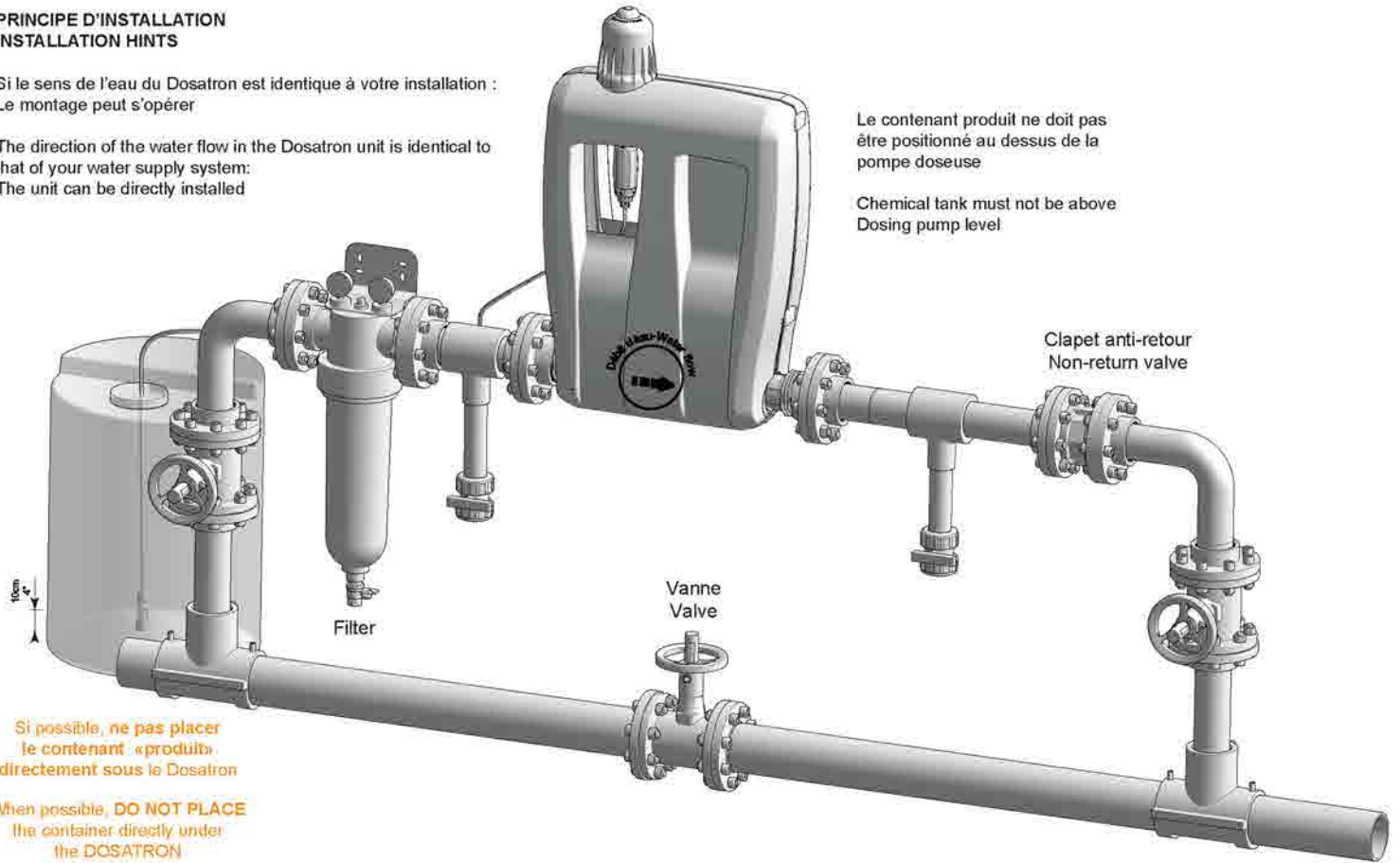
**6** PRINCIPE D'INSTALLATION  
INSTALLATION HINTS

Si le sens de l'eau du Dosatron est identique à votre installation :  
Le montage peut s'opérer

The direction of the water flow in the Dosatron unit is identical to  
that of your water supply system:  
The unit can be directly installed

Le contenant produit ne doit pas  
être positionné au dessus de la  
pompe doseuse

Chemical tank must not be above  
Dosing pump level



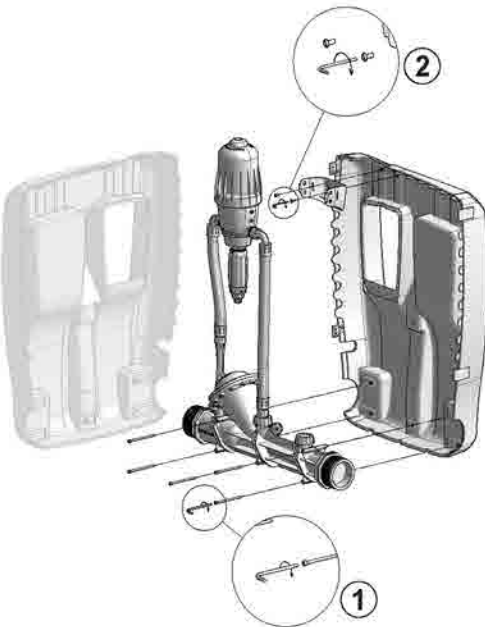
Si possible, ne pas placer  
le contenant « produit »  
directement sous le Dosatron

When possible, DO NOT PLACE  
the container directly under  
the DOSATRON

**A**

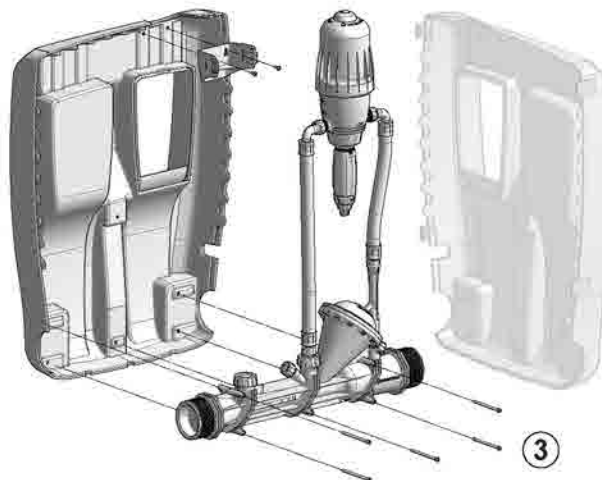
Si le sens de l'eau est inversé :  
Ouvrir le coffret  
The water flows in the opposite direction:  
Open the casing

Dévisser le Doseur (1)  
Dévisser le régulateur Dosatron (2)  
Unscrew the Dosatron unit (1)  
Unscrew the Dosatron regulator (2)



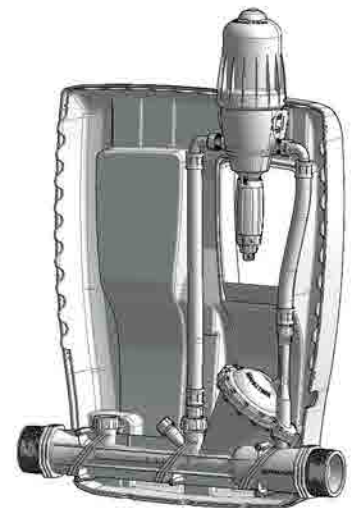
**B**

Revisser l'ensemble sur l'autre partie du coffret (3)  
Screw it again at the other end of the casing (3)



**C**

Le montage peut s'opérer  
The unit can be directly installed



7

