



DOSATRON®

An Ingersoll Rand Business

QUICK START UP

D400

400 US GPM - 90 m³/h

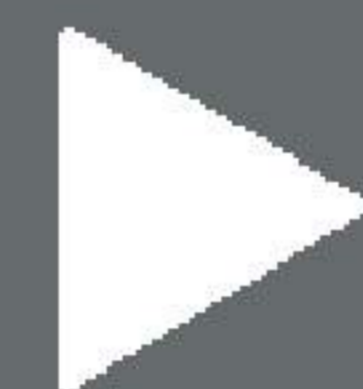
*Congratulations on your new Dosatron.
Please read the following important information.*

IMPORTANT NOTES

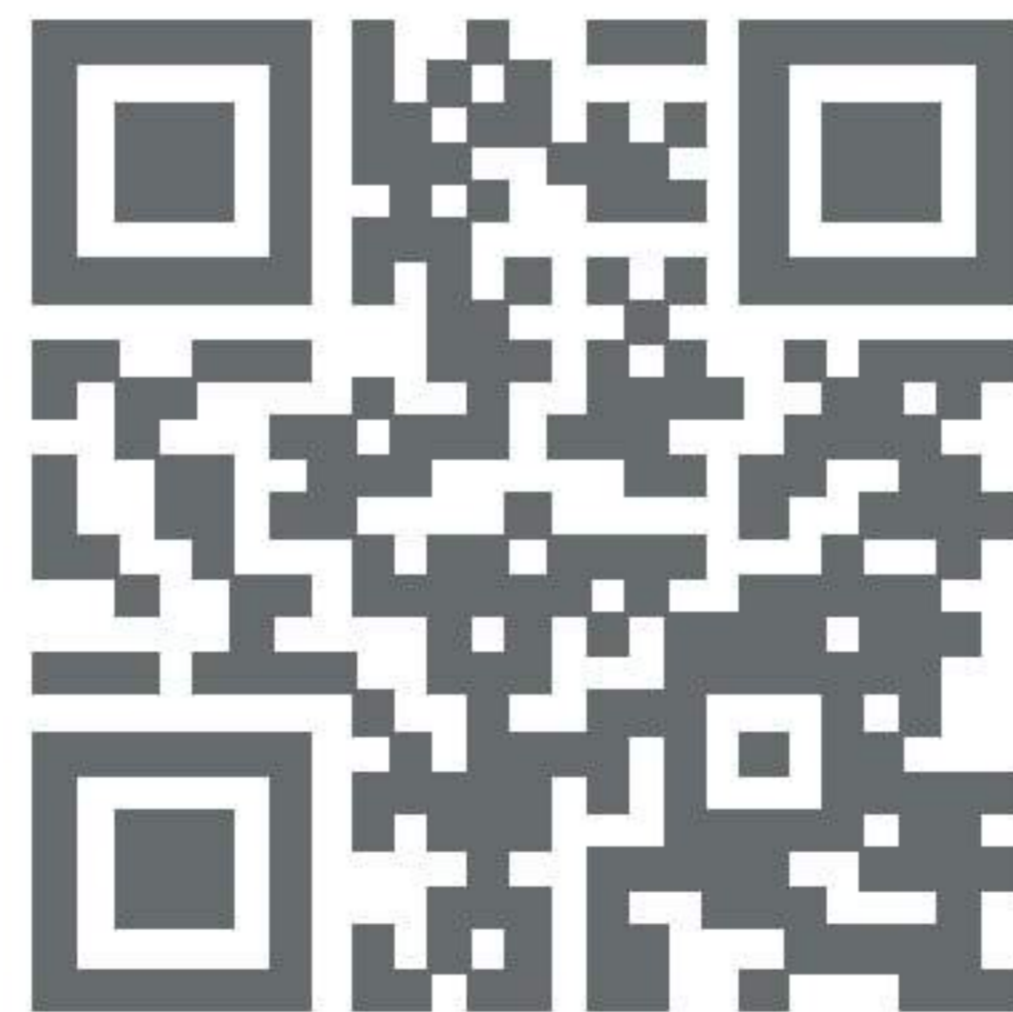
For complete information on the features and operations,
refer to your Manual on www.dosatron.com
or download our DOSATRON app



App Store



Google play



NEED HELP ?

Contact your DOSATRON distributor for service or parts

CAUTION

- When connecting a DOSATRON either to the public water supply or to its own water source, you must respect the regulations in force concerning protection of the source i.e. backflow prevention, etc.
- Contact local authorities for requirements of backflow prevention.
- When installing, operating, and maintaining the DOSATRON water powered metering pump, keep safety considerations foremost. Use proper tools, protective clothings, and eye protection when working on the equipment and install the equipment with a view toward ensuring safe operation.
- Follow the instructions in the manual and take additional safety measures appropriate to the liquid being pumped and the temperature of the water that powers the DOSATRON. Be extremely careful in the presence of hazardous substances (e.g. corrosives, toxins, solvents, acids, caustic, flammables, etc.).
- Before applying any aggressive chemicals, please consult your distributor to confirm compatibility with the dosing pump.



Hand tighten. No tools needed.

RECOMMENDATIONS

DO NOT USE THIS UNIT WITHOUT A 200-120 MESH [80-130 MICRON] WATER FILTER* OR YOUR WARRANTY VOID.

*The 200-120 mesh [80-130 micron] water filter (sold separately) protects your unit from abrasive particles in the water that causes scoring to the piston and housing.

**KNOW YOUR WATER FLOW!
GRADUALLY TURN ON THE WATER.**

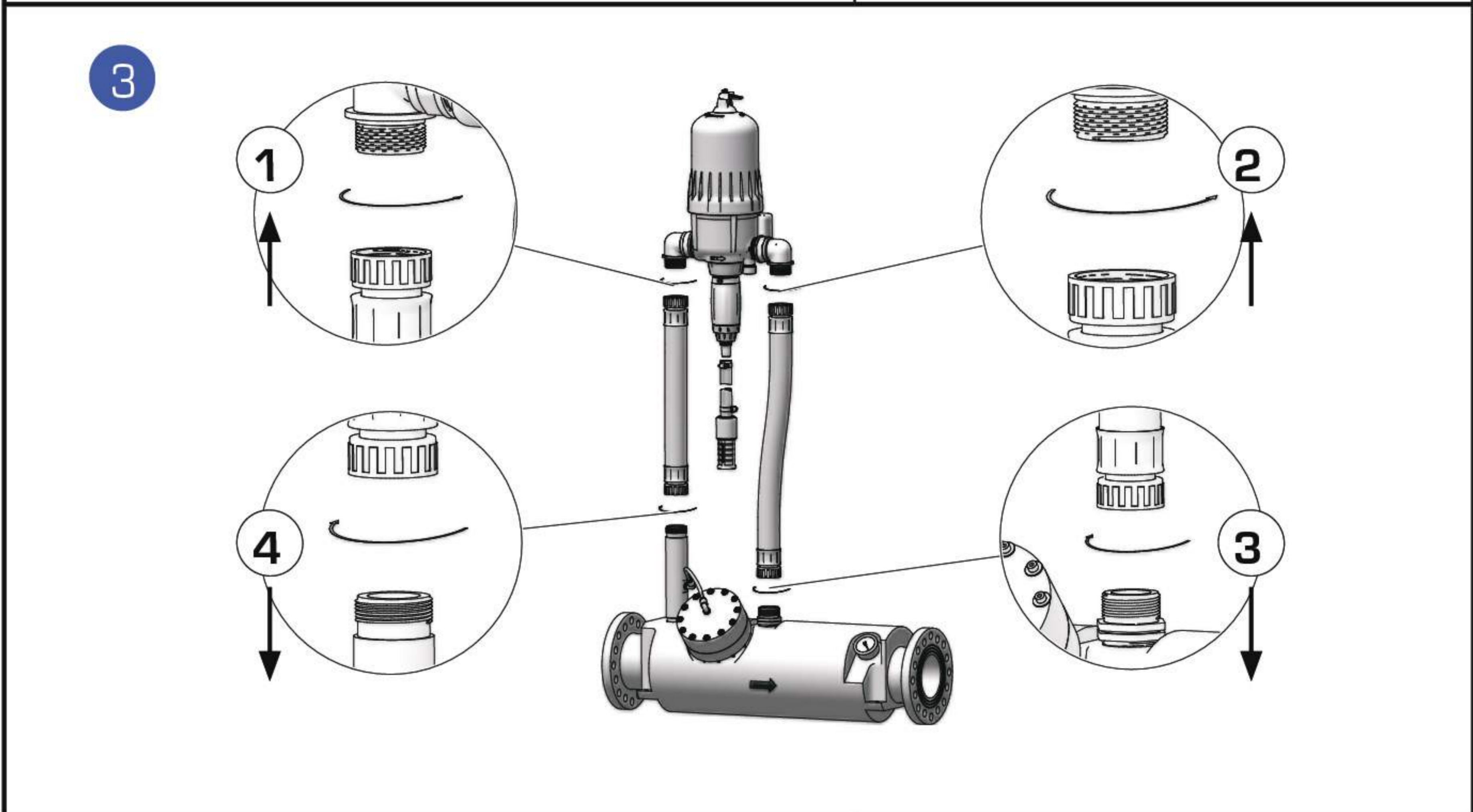
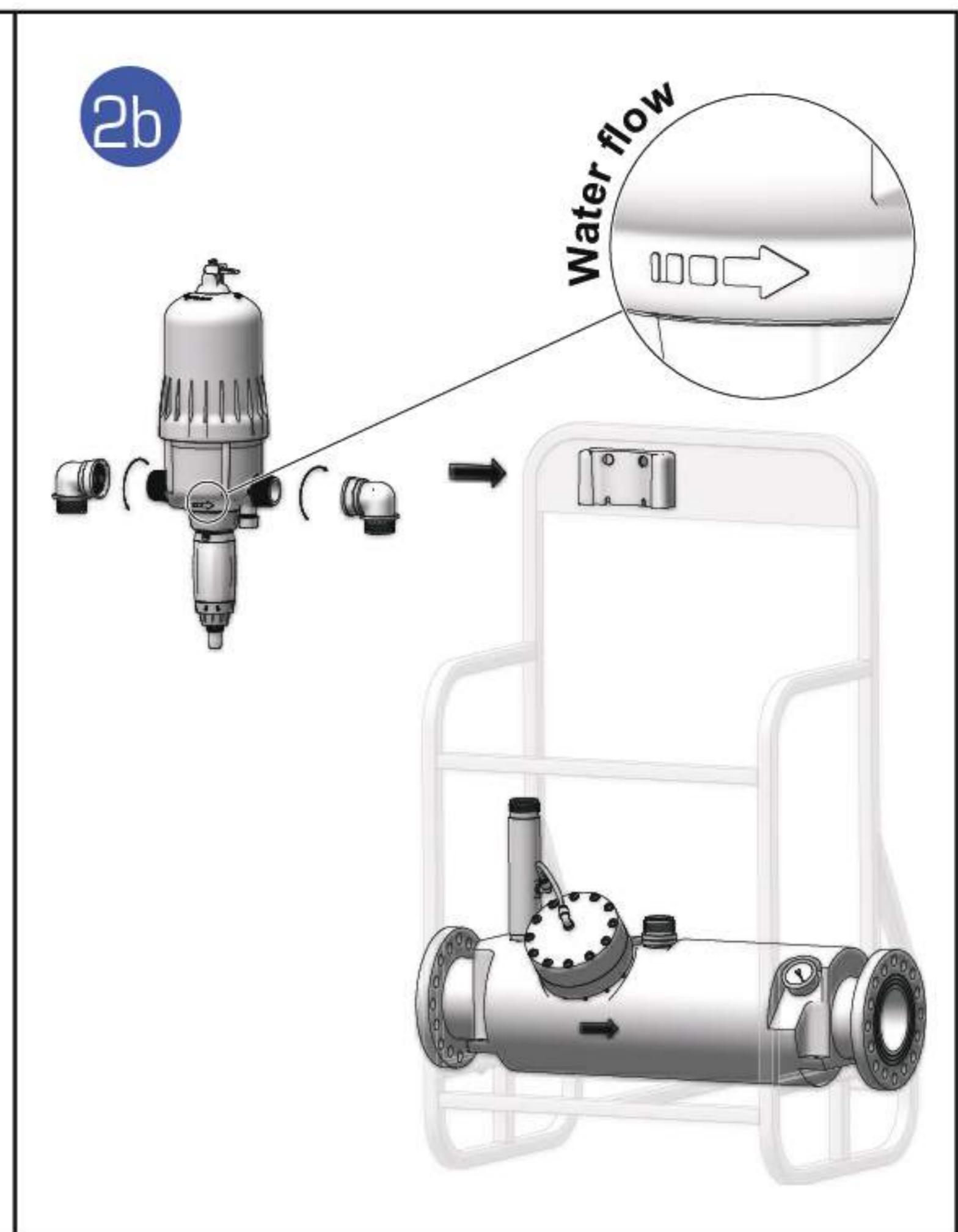
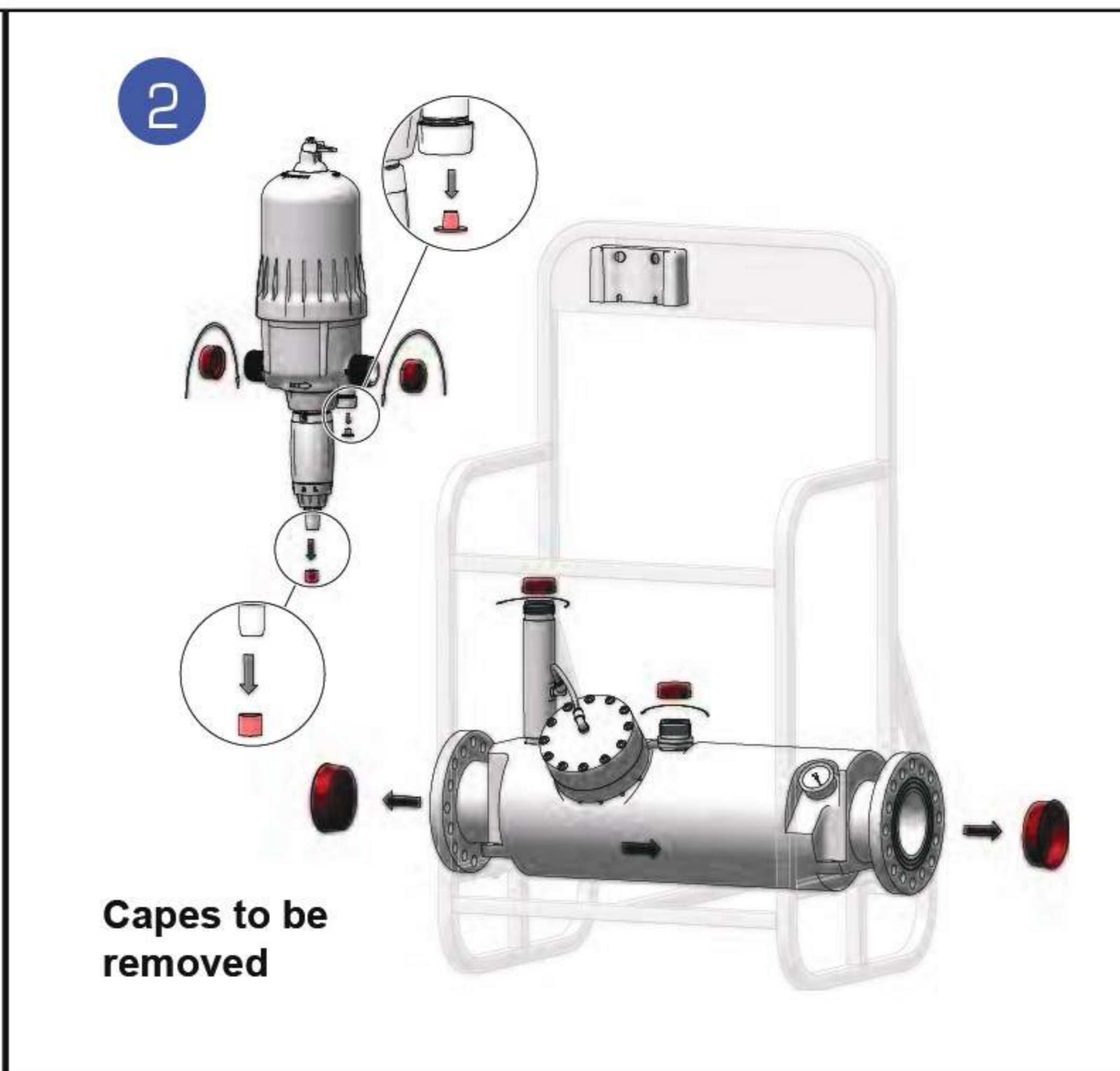
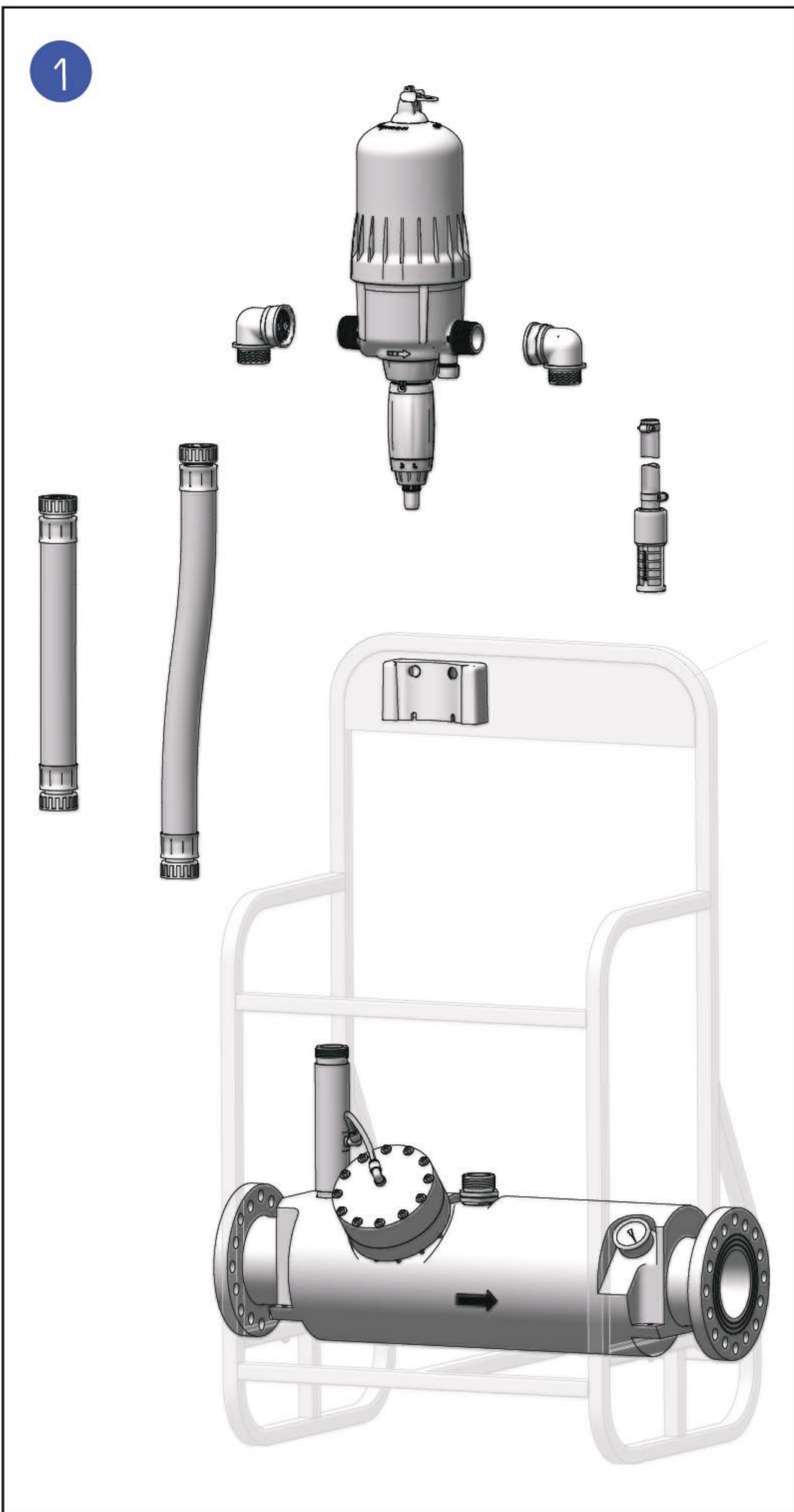
**COUNT THE NUMBER OF CLICKS IN
15 SECONDS. DO NOT EXCEED 44* CLICKS.**

CLICK CHART

Clicks/15 sec	gpm	l/h
4	36	8200
8	72	16400
16	145	32800
32	290	65000
44	400	90000



MAXIMUM PRESSURE 116 PSI* (8 bar)



Maximum: 44 clicks/15 sec.

