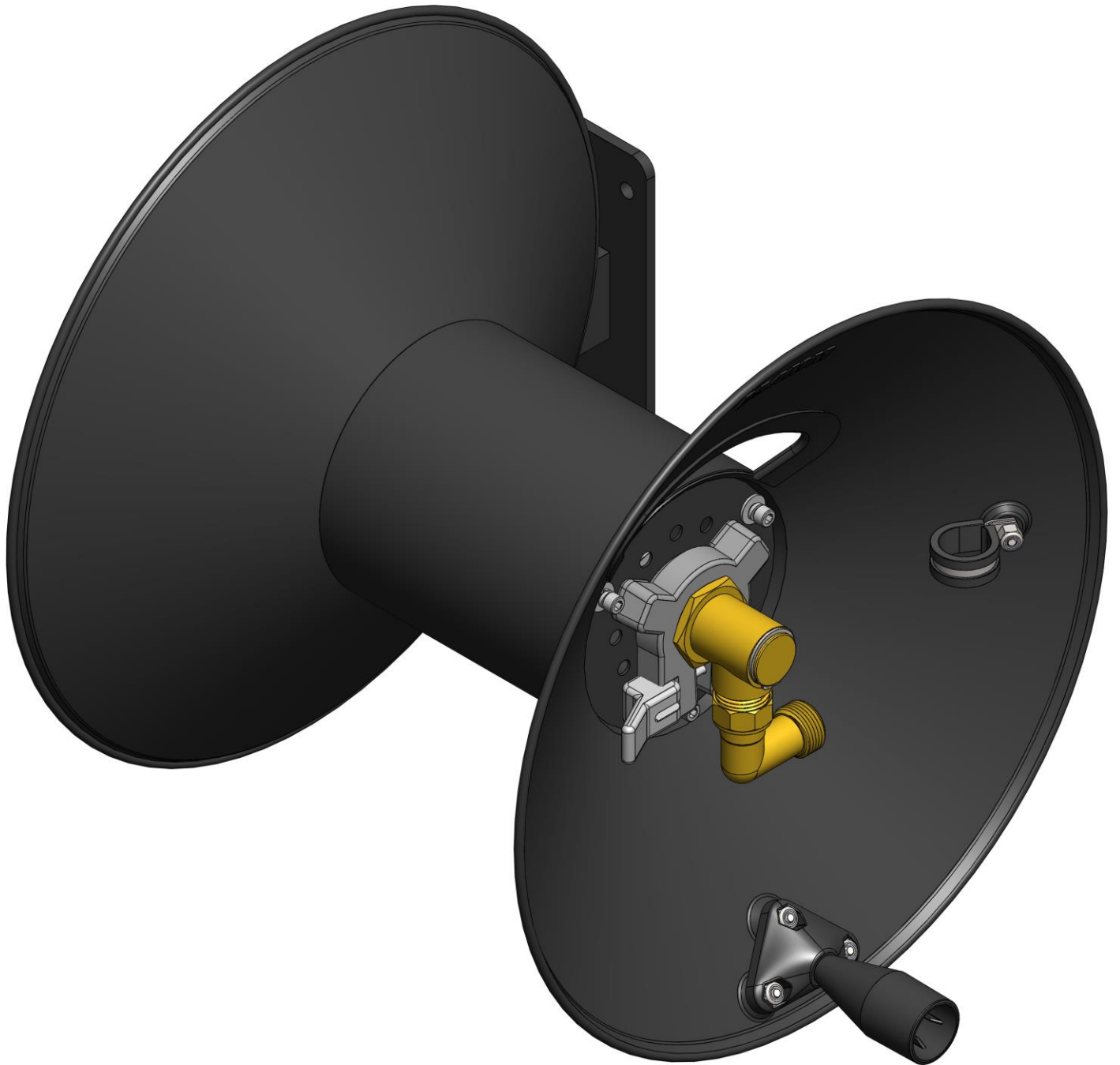


# Garden Hose Reel Assembly Guide



---

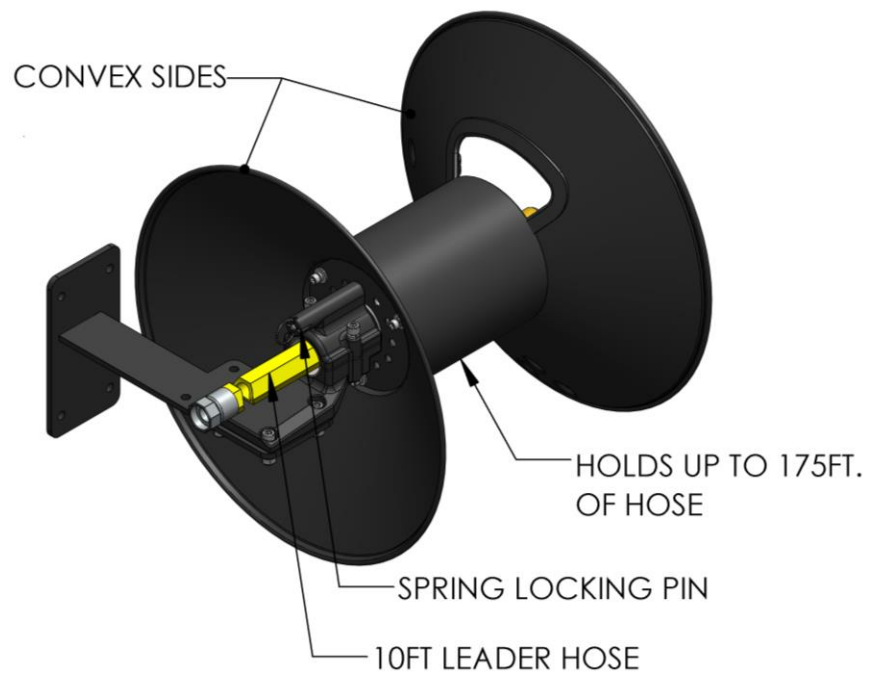
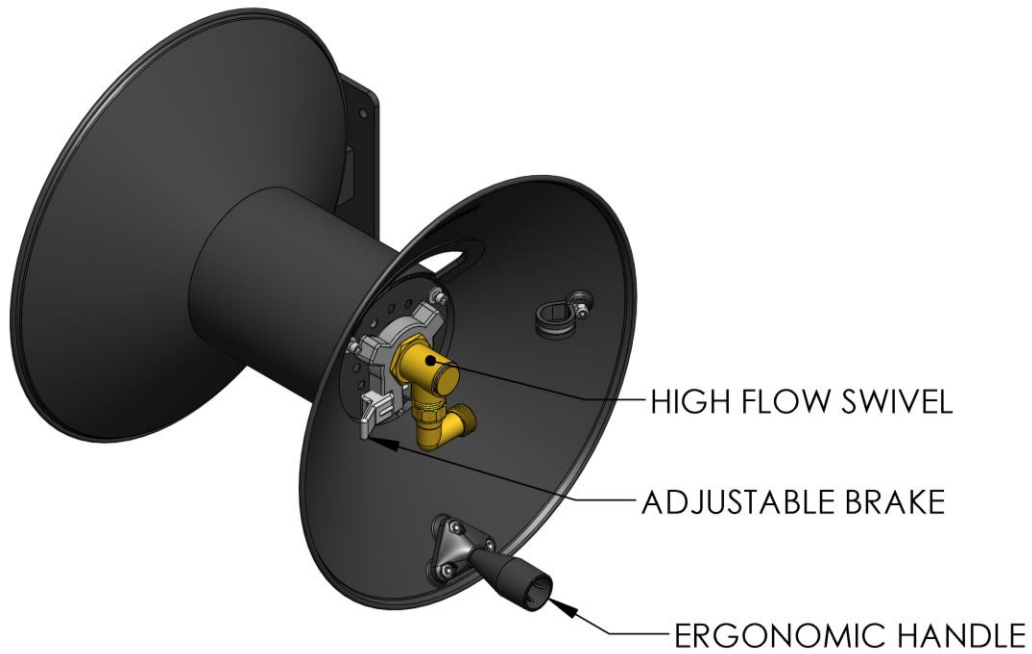
1425 Dufek Drive  
P.O. Box 1960  
Manitowoc, WI 54221-1960, U.S.A.  
[www.dramm.com](http://www.dramm.com)

**DRAMM**  
CORPORATION

---

920.684.0227  
800.258.0848  
[information@dramm.com](mailto:information@dramm.com)

## Features



## Tools Required For Assembly

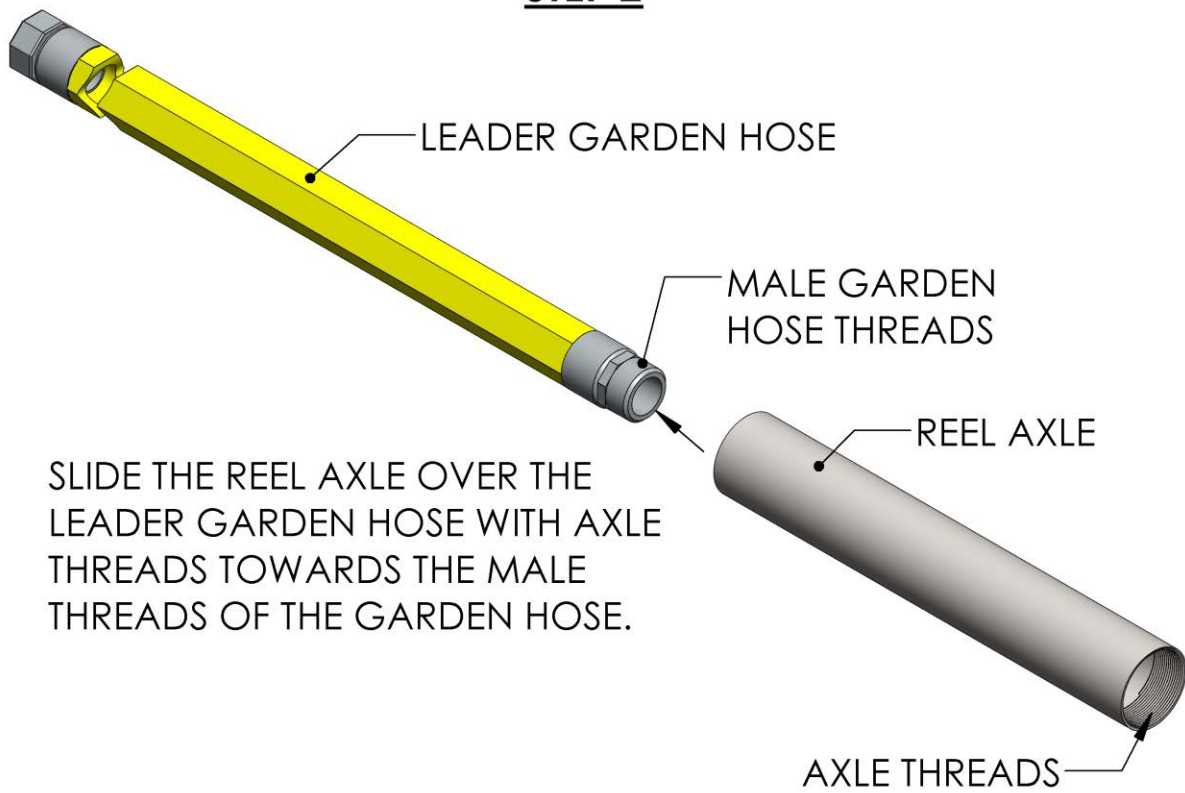
- Adjustable Wrench
- 3/16" Hex Key
- 1/4" Hex Key
- Phillips Screwdriver
- 7/16" Wrench
- 1/2" Wrench

## STEP 1

Remove all parts and hardware from box and lay on working surface. Please check to make sure all parts have been included. If parts are missing please call 920-684-0227.

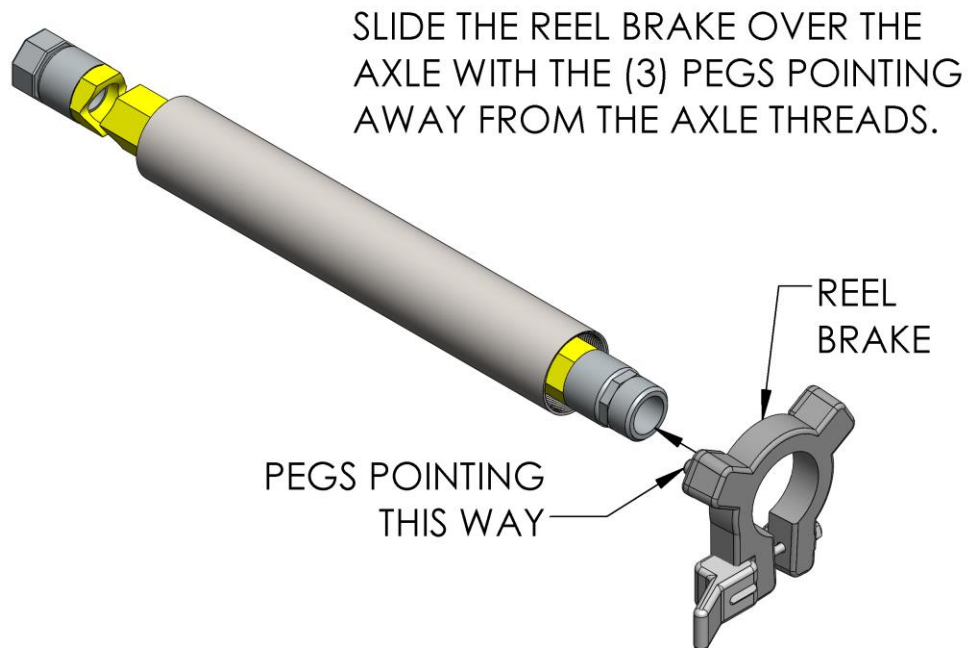
1	 HOSE REEL BARREL	1	 HOSE REEL MOUNT ASSEMBLY	6	 1/4" LOCK WASHERS
1	 HOSE REEL END PLATE	1	 HANDLE ASSEMBLY	6	 1/4" SCREWS
1	 HOSE REEL END PLATE W/HOLE	1	 10FT LEADER HOSE	4	 1/4" LOCK NUTS
2	 HOSE REEL BEARINGS	1	 WALL MOUNT BRACKET	4	 1/4" FLAT HEAD SCREWS
1	 HOSE REEL AXLE	1	 30mm CUSHION CLAMP FOR 3/4" GARDEN HOSE	4	 5/16" LOCK NUTS
1	 BRAKE ASSEMBLY	1	 25mm CUSHION CLAMP FOR 5/8" GARDEN HOSE	4	 5/16" WASHERS
1	 HOSE SWIVEL ASSEMBLY	6	 1/4" WASHERS	4	 5/16" SCREWS

## **STEP 2**



---

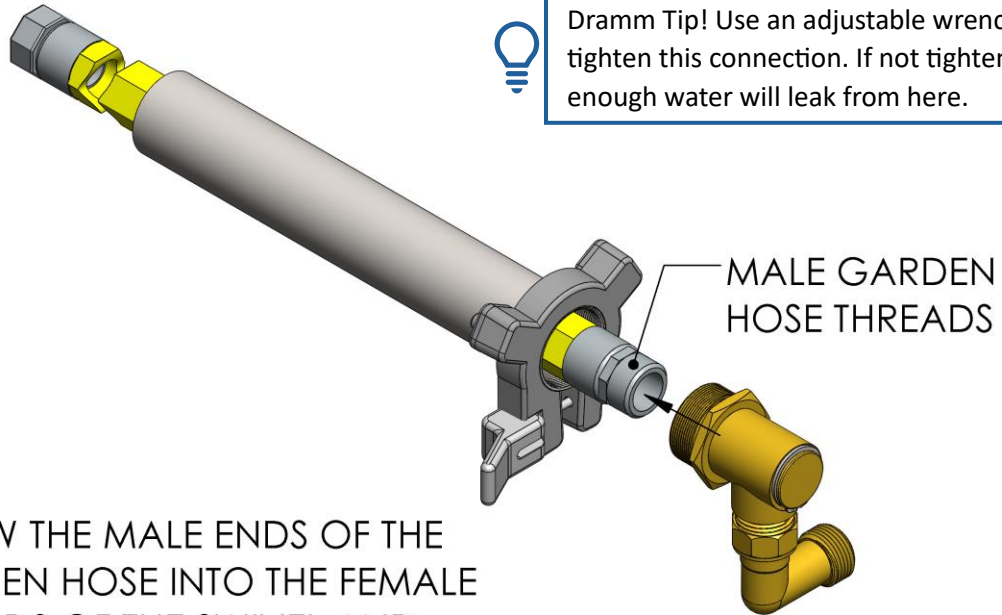
## **STEP 3**



## STEP 4



Dramm Tip! Use an adjustable wrench to tighten this connection. If not tightened up enough water will leak from here.



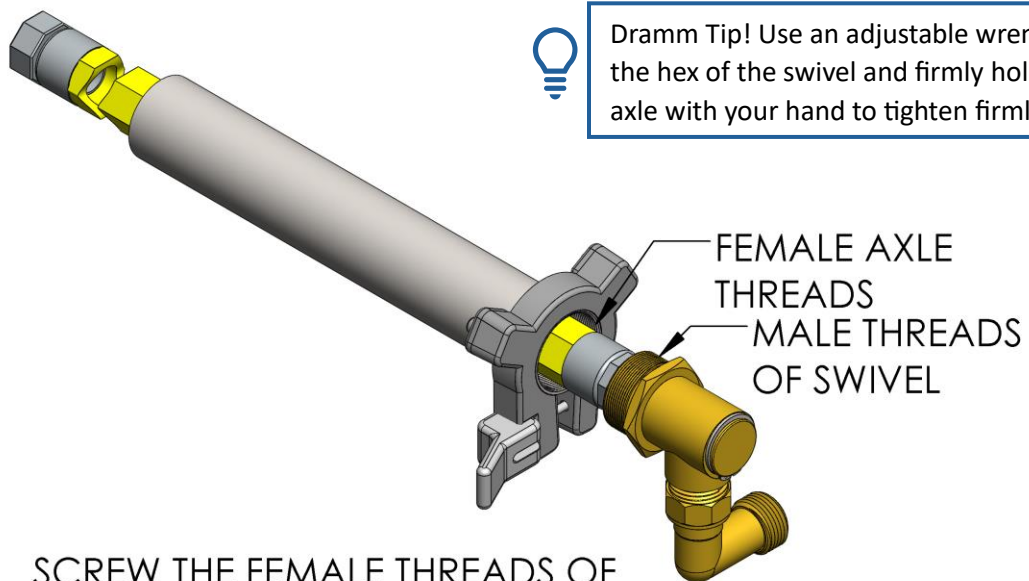
SCREW THE MALE ENDS OF THE GARDEN HOSE INTO THE FEMALE THREADS OF THE SWIVEL AND MAKE SURE THEY ARE TIGHT.

---

## STEP 5



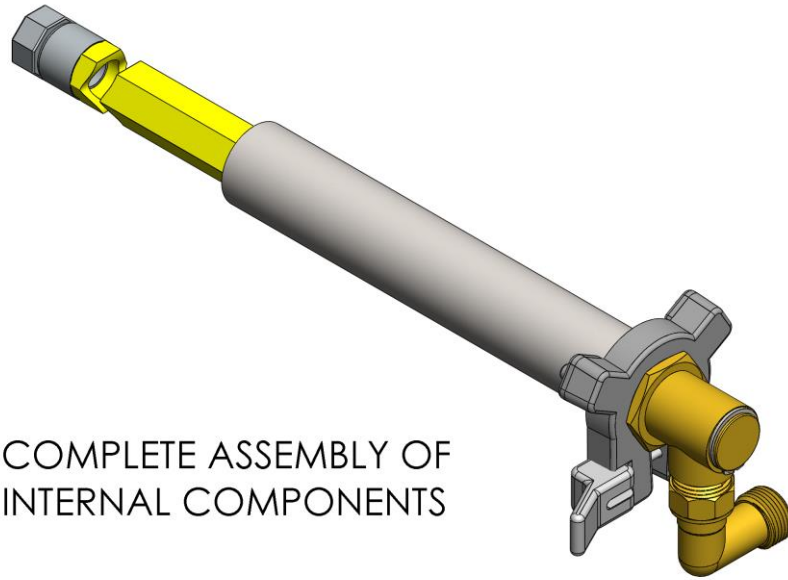
Dramm Tip! Use an adjustable wrench on the hex of the swivel and firmly hold the axle with your hand to tighten firmly.



SCREW THE FEMALE THREADS OF REEL AXLE ONTO THE MALE THREADS OF THE SWIVEL.

**DRAMM**

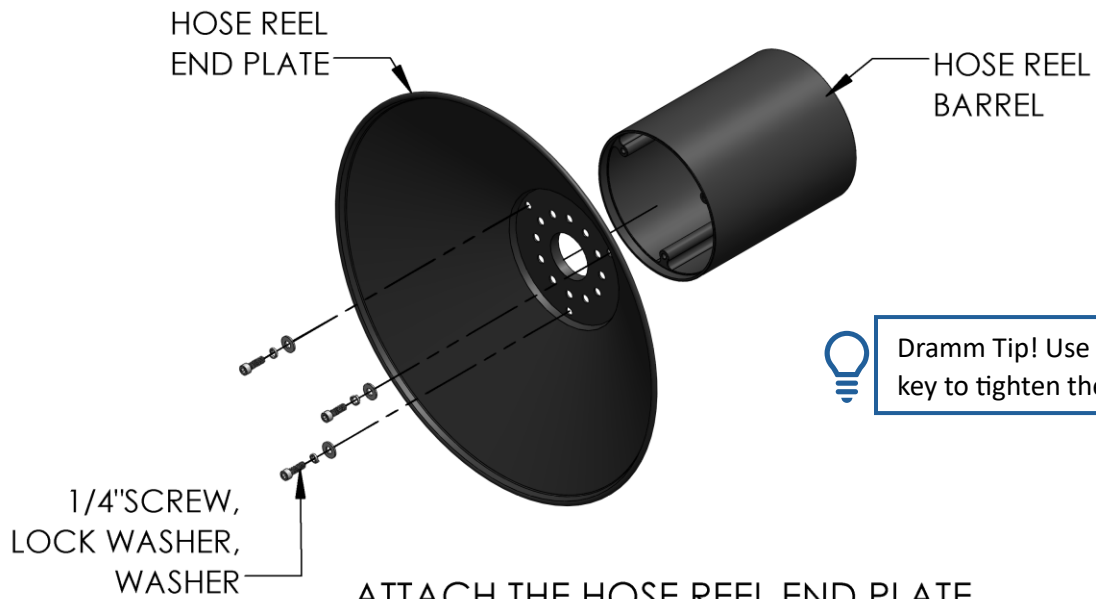
## STEP 6



COMPLETE ASSEMBLY OF  
INTERNAL COMPONENTS

---

## STEP 7

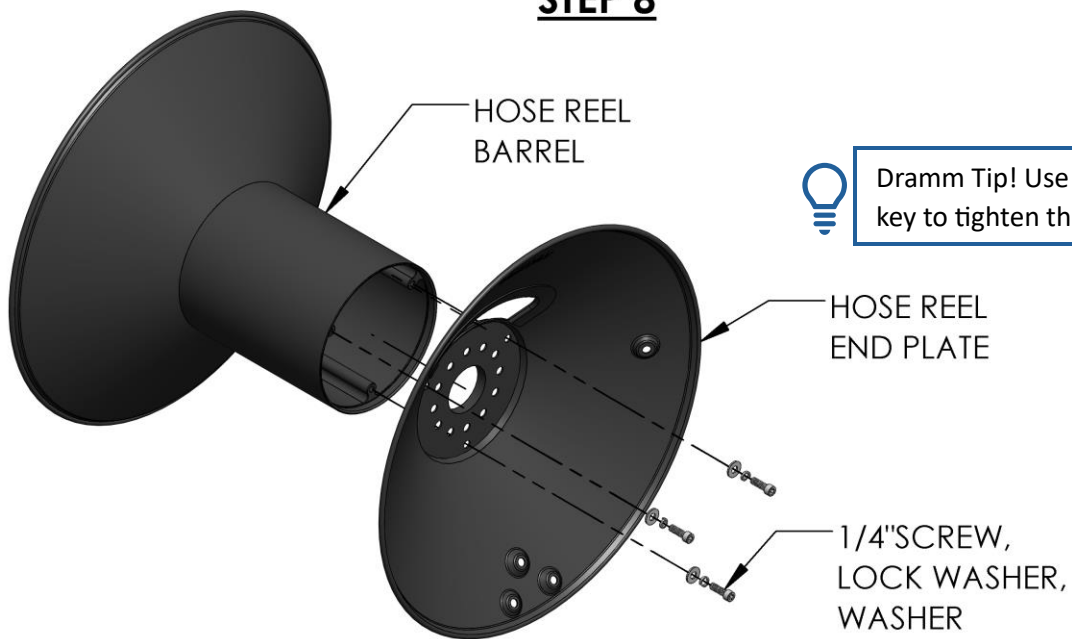


Dramm Tip! Use a 3/16" hex key to tighten the 1/4" screws.

ATTACH THE HOSE REEL END PLATE WITH NO HOLE TO THE HOSE REEL BARREL WITH (3) 1/4" SCREWS, LOCK WASHERS, AND WASHERS AND HAND TIGHTEN THEM.

**DRAMM**

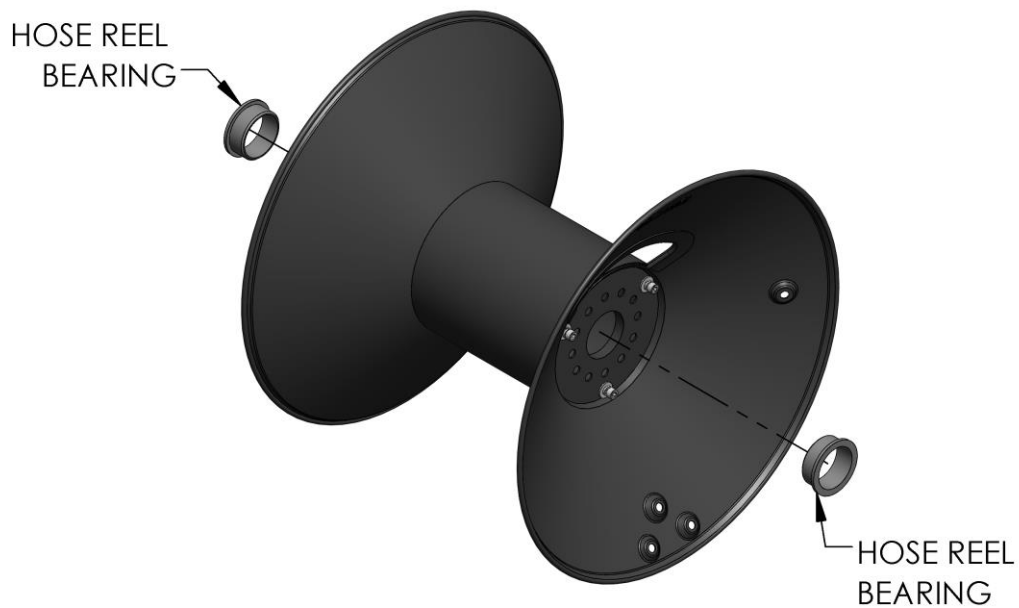
## STEP 8



ATTACH THE HOSE REEL END PLATE WITH HOLE TO THE HOSE REEL BARREL WITH (3) 1/4" SCREWS, LOCK WASHERS, AND WASHERS AND HAND TIGHTEN THEM.

---

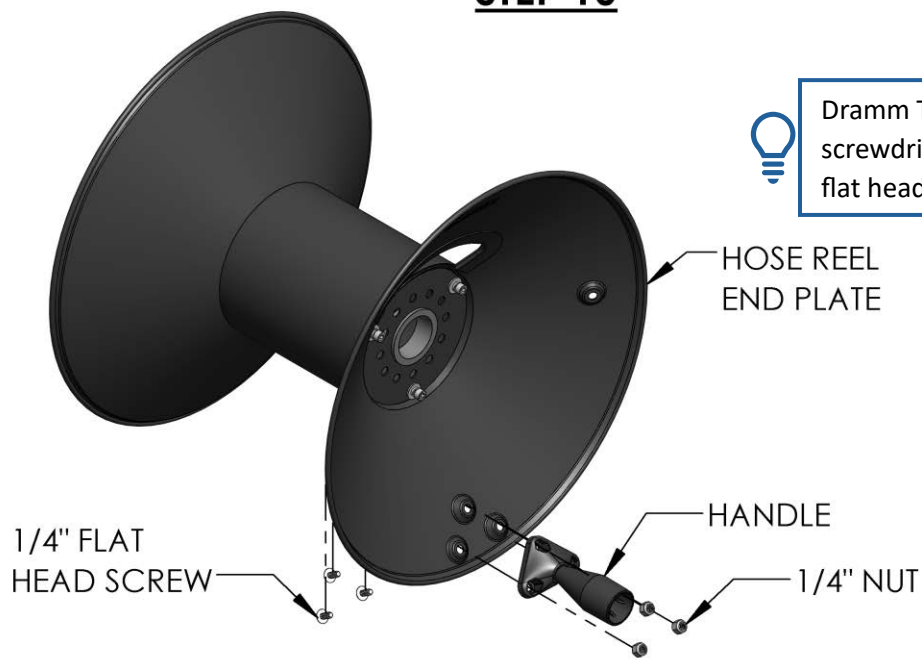
## STEP 9



INSTALL THE HOSE REEL BEARINGS BY PRESSING THEM INTO THE CENTER HOLE OF EACH END PLATE.

**DRAMM**

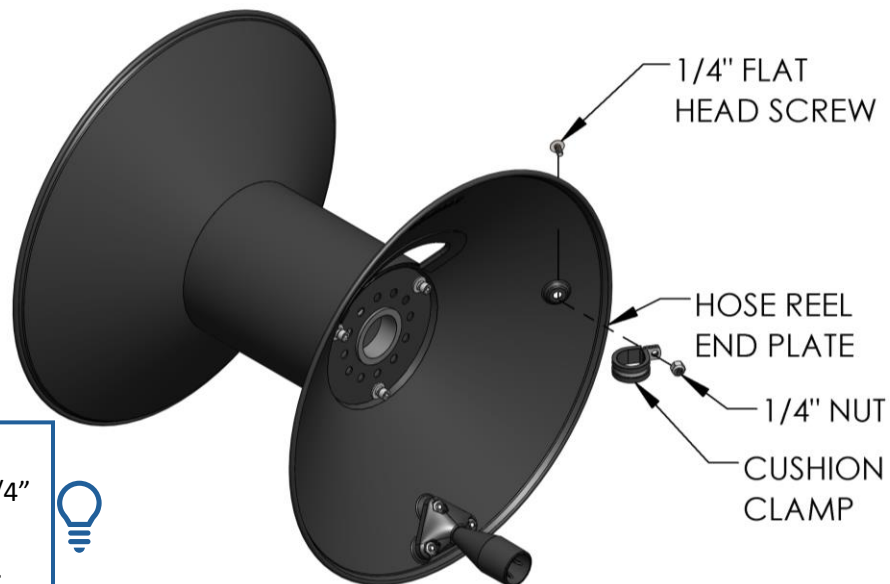
## STEP 10



Dramm Tip! Use a Phillips screwdriver to tighten the 1/4" flat head screws.

INSTALL THE HOSE REEL HANDLE BY INSERTING (3) 1/4" NUTS INTO THE HEX SHAPED HOLES. NEXT PLACE (3) 1/4" FLAT HEAD SCREWS THROUGH THE THREE HOLES IN THE END PLATE AND HAND TIGHTEN THEM INTO THE NUTS.

## STEP 11



Dramm Tip! Use a Phillips screwdriver to tighten the 1/4" flat head screws and 7/16" wrench to hold the 1/4" nut.



INSTALL THE GARDEN HOSE CUSHION CLAMP BY INSERTING (1) 1/4" FLAT HEAD SCREW THROUGH THE SINGLE HOLE IN THE END PLATE, THEN SLIDE THE CUSHION CLAMP OVER THE SCREW AND TIGHTEN IT DOWN BY USING (1) 1/4" NUT.

**DRAMM**

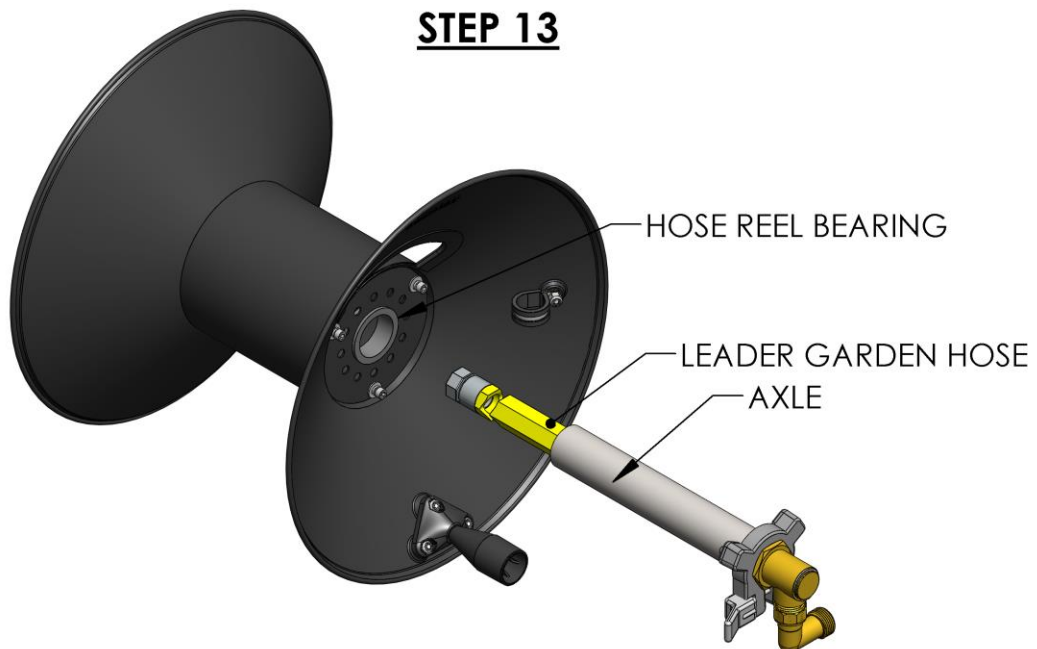
## STEP 12



COMPLETE SUBASSEMBLY OF HOSE REEL

---

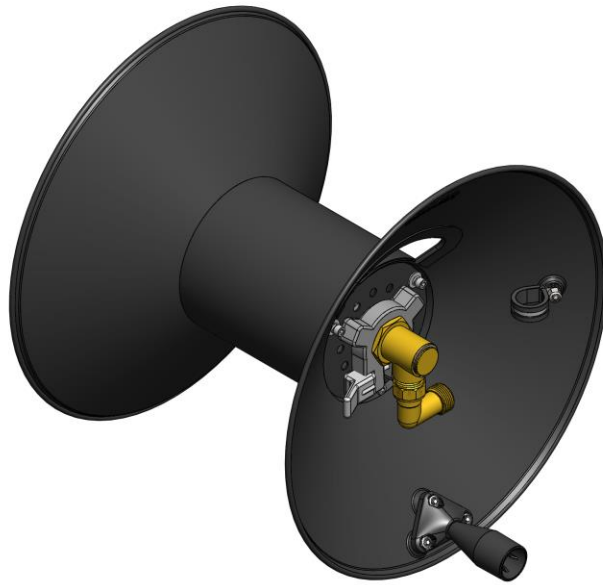
## STEP 13



INSTALL THE INTERNAL SUBASSEMBLY IN THE HOSE REEL BY FEEDING THE LEADER GARDEN HOSE THROUGH THE HOSE REEL BEARINGS AND SLIDING THE AXLE THROUGH THE BEARINGS UNTIL THE BRAKE IS FLUSH AGAINST THE END PLATE. MAKE SURE THE PEGS ON THE BRAKE GET INSERTED INTO THE HOLES ON THE END PLATE.

**DRAMM**

## STEP 14

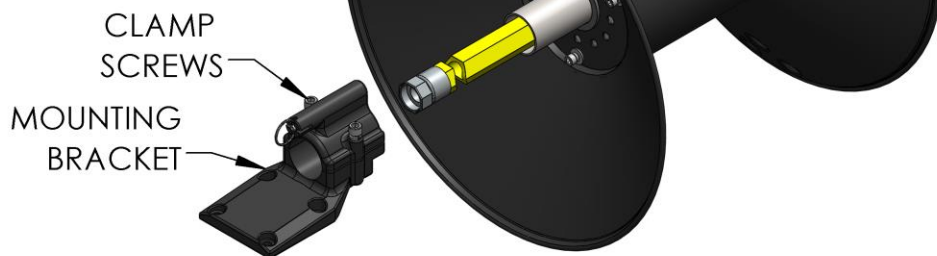


INTERNAL SUBASSEMBLY SHOWN INSERTED INTO HOSE REEL.

---

## STEP 15

Dramm Tip! Use a 1/4" hex key to loosen the clamp screws.

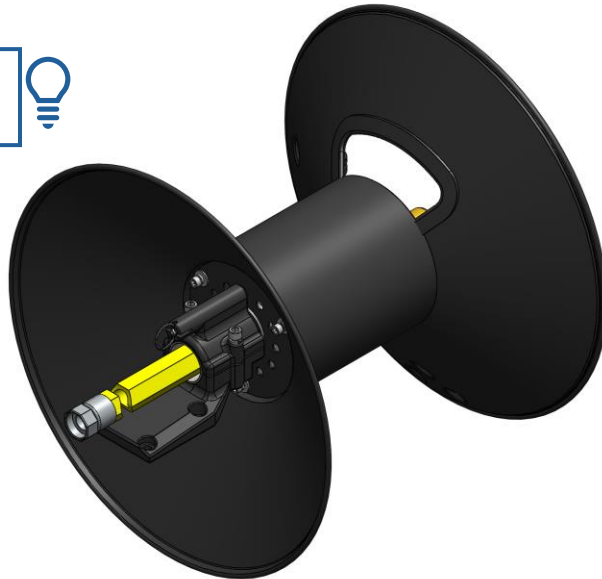


LOOSEN THE (2) CLAMP SCREWS ENOUGH SO THAT THE MOUNTING BRACKET CAN BE SLID OVER THE LEADER GARDEN HOSE AND ONTO THE AXLE.

**DRAMM**

## STEP 16

Dramm Tip! Use a 1/4" hex key to tighten the clamp screws.



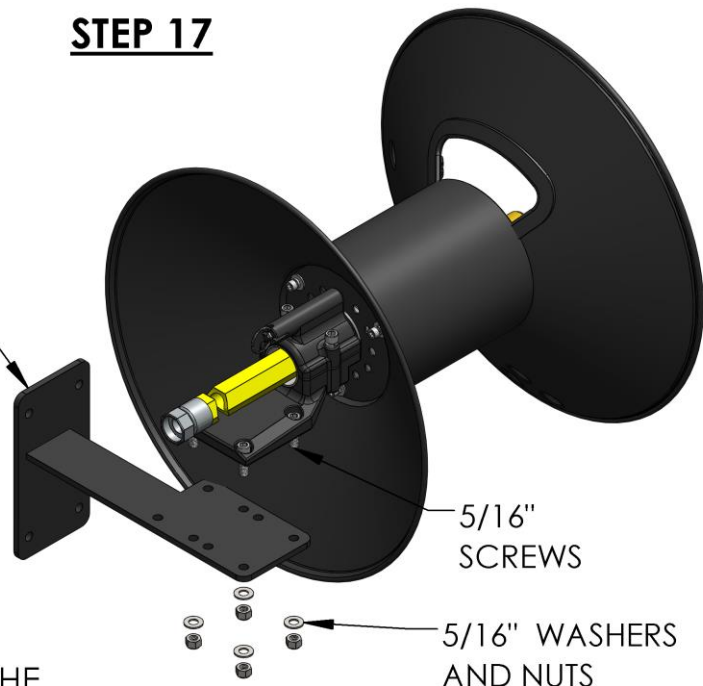
MAKE SURE THE MOUNTING BRACKET IS PUSHED UP AGAINST THE HOSE REEL BEARING AND HAND TIGHTEN THE TWO CLAMP SCREWS.

## STEP 17

Dramm Tip! Use a 1/4" hex key to tighten the 5/16" screws and a 1/2" wrench to hold the 5/16" nuts.



WALL MOUNTING BRACKET



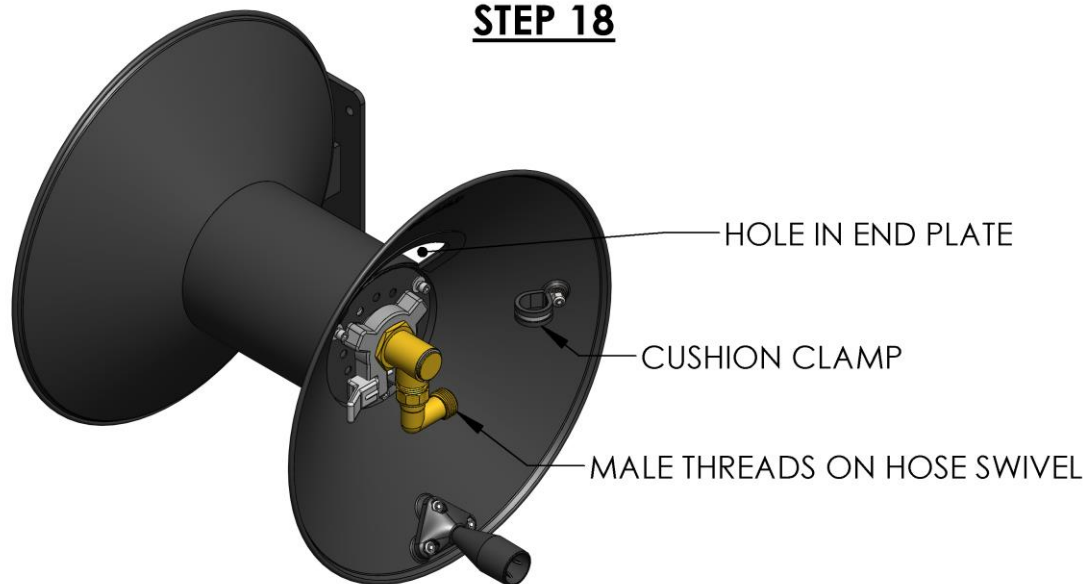
5/16" SCREWS

5/16" WASHERS AND NUTS

ATTACH THE WALL MOUNTING BRACKET IN DESIRED LOCATION USING THE SUPPLIED HARDWARE. ATTACH THE HOSE REEL TO THE WALL MOUNTING BRACKET BY INSERTING (4) 5/16" SCREWS THROUGH THE FOUR HOLES IN THE HOSE REEL MOUNT AND THE HOLES IN THE WALL MOUNTING BRACKET, THEN USE (4) 5/16" WASHERS AND LOCK NUTS TO SECURE THE TWO BRACKETS TOGETHER AND HAND TIGHTEN THEM.

**DRAMM**

## **STEP 18**



INSTALL GARDEN HOSE ONTO REEL BY FEEDING THE FEMALE END OF THE HOSE THROUGH THE HOLE IN THE END PLATE, THROUGH THE CUSHION CLAMP AND CONNECT IT TO THE MALE THREADS OF THE GARDEN HOSE SWIVEL. TIGHTEN CUSHION CLAMP TO HOLD HOSE IN PLACE AND WIND HOSE UP ON REEL. THEN CONNECT LEADER HOSE TO WATER SOURCE.

---