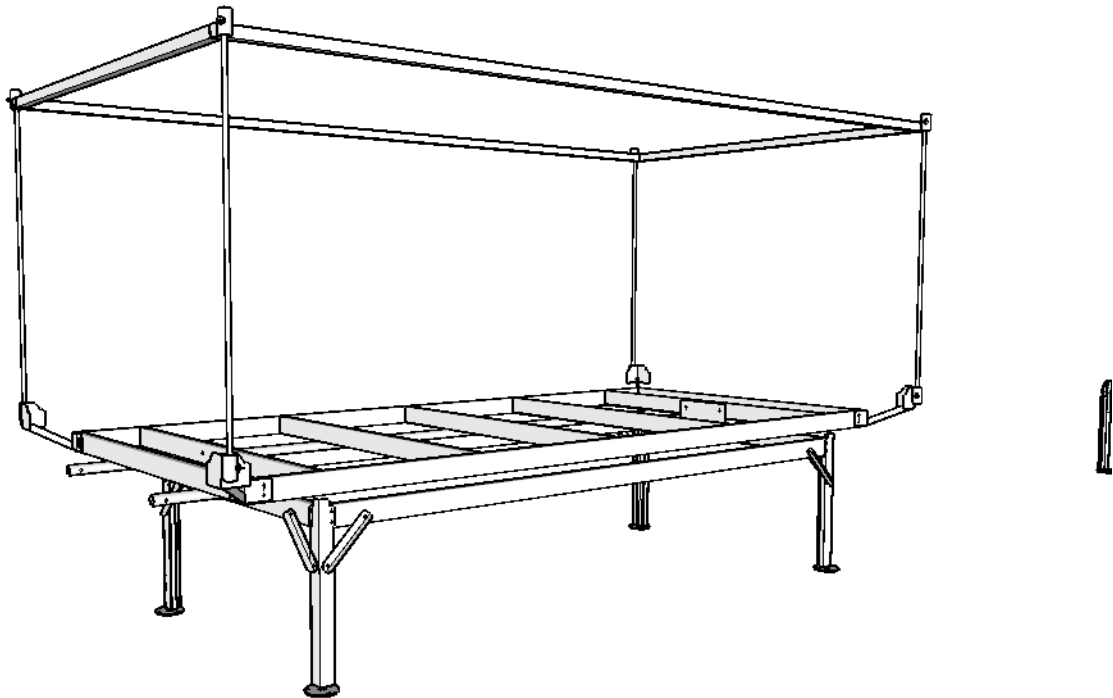


# INSTALLATION MANUAL

FS PRODUCTIONS - STANDARD ROLLING BENCHES



## CONTENTS

	Page
1. Introduction	2
2. Tools & Supplies	2
3. Assembly Kit Parts	2
4. Base assembly	3
5. Deck Assembly	4
6. Trellis Assembly	5

## 1. INTRODUCTION

This document outlines a general installation procedure for the FS Productions rolling benches. This installation manual provides generalized information relevant to most installations. Site specific conditions such as ground surface and grading may exist which may require modifications to the procedures enclosed. Please contact FS Productions for additional information if adverse site conditions exist.

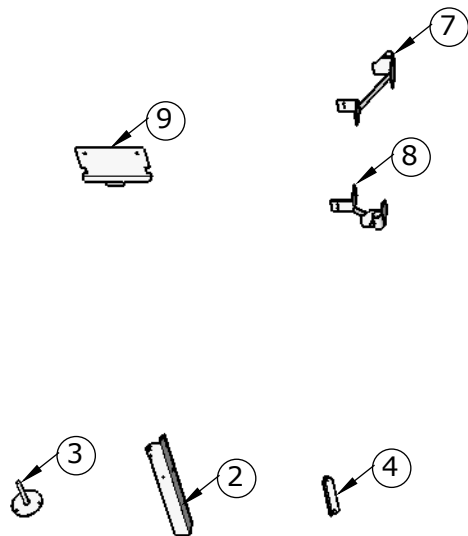
**CAUTION:** Installation should be performed by competent individual. At some points during the installation, at least two individuals may be required. It is the responsibility of installing technician to follow the steps outlined in this manual and abide by any local or national building codes or regulations.

## 3. ASSEMBLY PARTS

The following parts are included in the kit for assembly. Please package contents and confirm correct quantity prior to installation.

	Quantity
1. Base frame	1
2. Leg corner post	4
3. Adjustable foot	4
4. Leg Diagonal Brace	8
5. Roller Pipe	2
6. Deck Frame	1
7. Tray corner bracket Left	2
8. Tray corner bracket - Right	2
9. Deck Stopper	2
10. Trellis Frame*	1

\*Optional additional part. [Not included on standard kit]



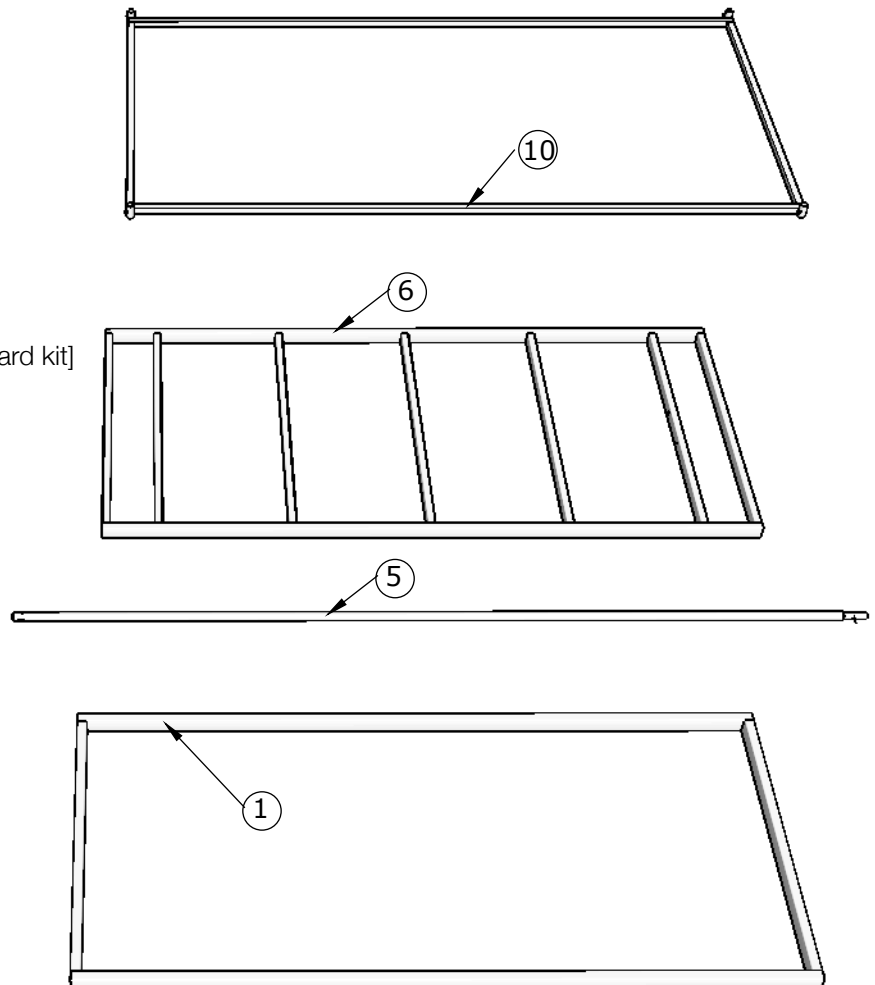
## 2. TOOLS & SUPPLIES

The following tools are recommended for use during installation:

- Cordless Impact driver or Drill
- 3/8" hex driver for #14x3/4" self-drilling screw
- 1/2" socket for 5/16" cap screw
- 1/2" Wrench for 5/16" nut
- Framing speed square

The following hardware is required for installation

- (48) #14 x 3/4" Hex-drive self-drilling screws
- (4) 5/16" x 1.5" Hex cap screw, 2x washer, nut
- (4) 1/2" steel conduit pipes, cut to length as per trellis height requirements. [Trellis vertical corner posts are not supplied in this kit unless specifically requested]

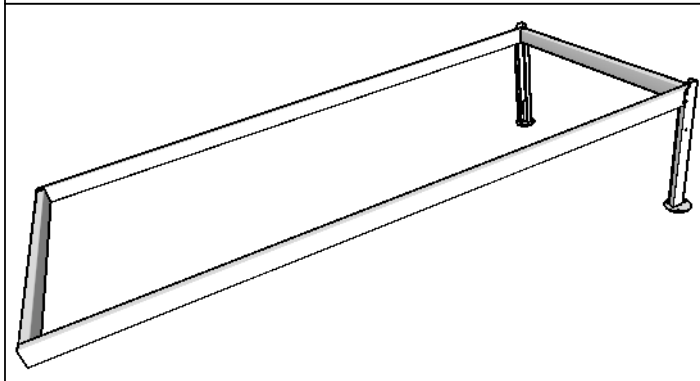
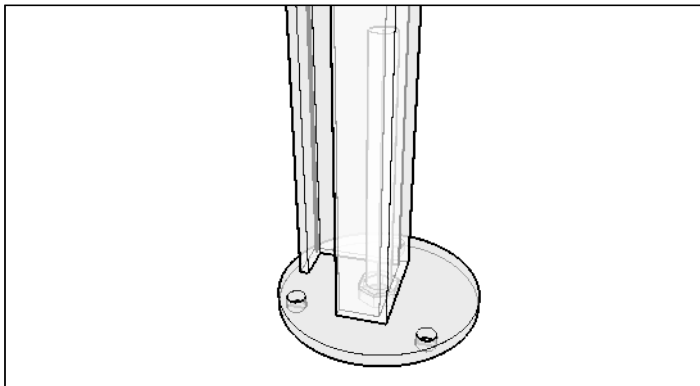
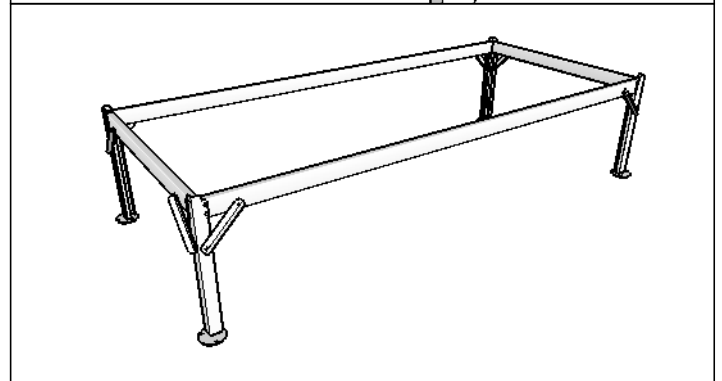
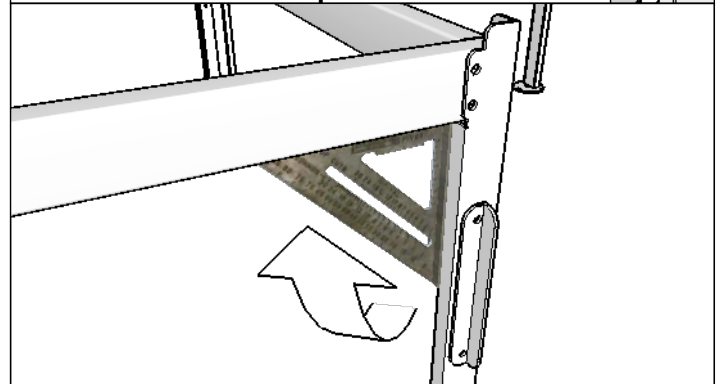
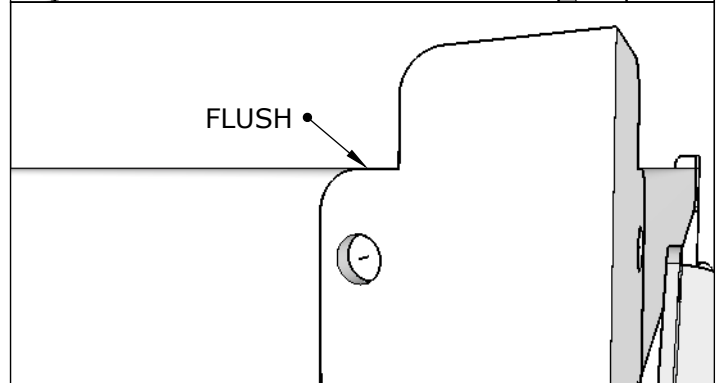
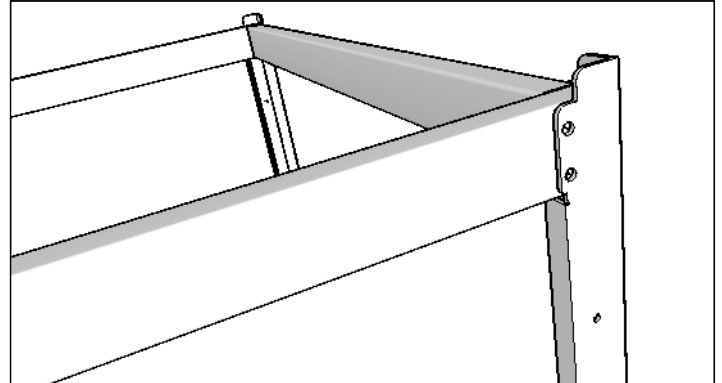


## 4. SUB-FRAME ASSEMBLY

The first step is to pre-assemble the sub-frame to the leg corner posts and diagonal bracing.

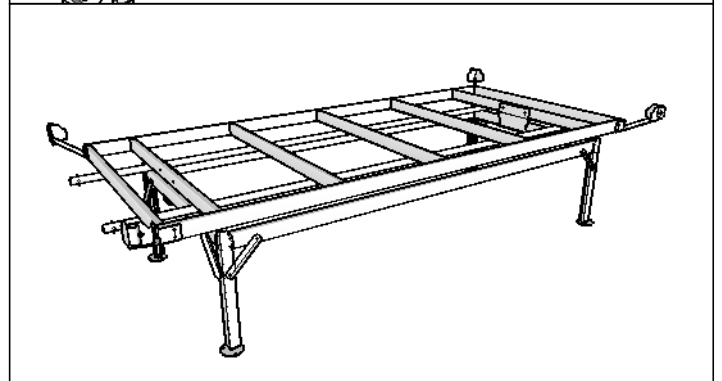
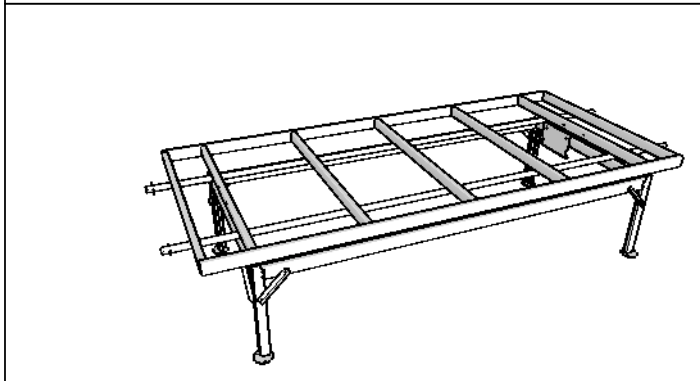
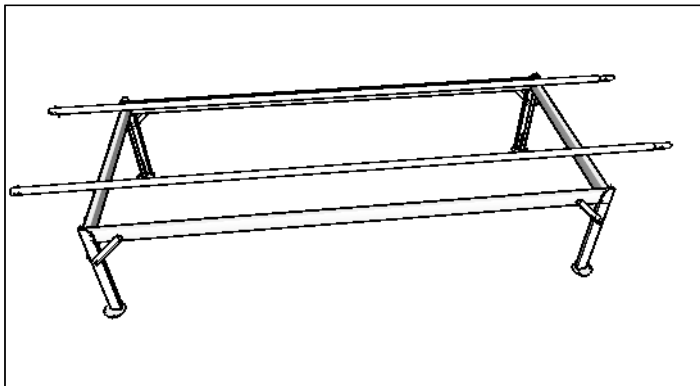
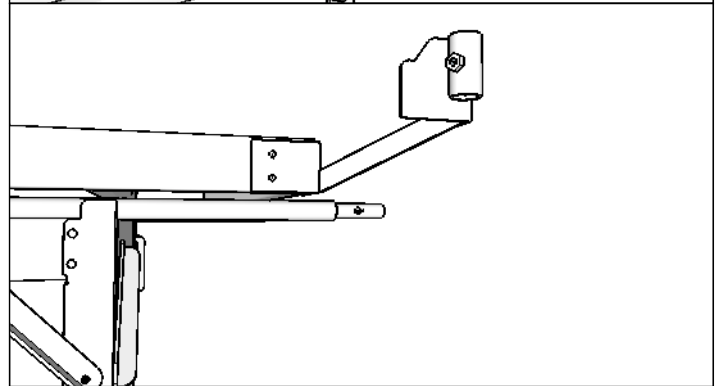
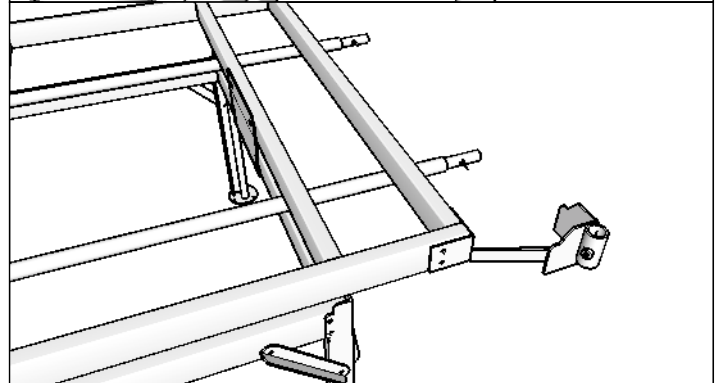
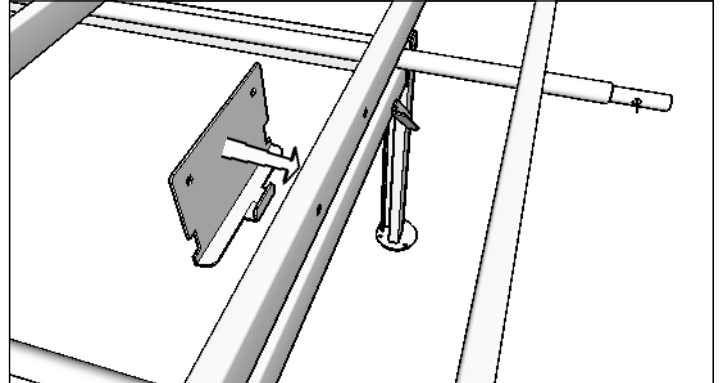
1. Assemble adjustable foot to corner posts. Pre-set height to approximate desired height for table. Fine-tuning height may be done after table is assembled.
2. Starting on one end, hold corner post to sub-frame, making sure top surface of tab on corner post is flush with top surface of base frame. Install (4) self-drilling screws securing corner post to sub-frame. Repeat for (4) corner posts.
3. Using a framing speed square, check that post is 90 degrees to base frame before installing diagonal brackets each direction.
4. Install (2) diagonal braces at each post, first get diagonal brace started by screwing through pilot hole on corner post, then rotate up to approximately 45 degrees to the base frame. Screw into base frame using #14 x 3/4" screw.
5. If necessary, fine-tune adjustments may be made to leveling feet for either level or sloping installations.

**IMPORTANT:** Once placement of sub-frame is finalized and feet are leveled. The feet must be anchored to floor using an appropriate fastener. This prevents table from rocking or turning over.



## 5. DECK ASSEMBLY

1. Place two roller bars onto sub-frame. Placement may be approximate until deck frame is installed
2. Place deck frame onto roller bars above surf-frame. Deck frame should be roughly centered.
3. Install stoppers each side of deck frame which keeps deck frame from rolling beyond a tipping point and keeps deck safely cantilevered over the side of the sub-frame. Make sure that stopper wraps around under side of horizontal sub-frame member. [see pictured right]
4. Each stopper mounts to deck frame (2) 5/16"x1.5" hex bolts, washers on each side, and nut.
5. Install tray stoppers to each corner of deck using (4) screws at each bracket. The bracket mounts flush to the bottom surface of the deck frame. Note mirrored parts, pipe sleeves should be along long side of tables.
6. Place tray to confirm proper fit.
7. Roll bench back and forth setting rollers in proper position for full range of adjustment.



## 5. TRELLIS ASSEMBLY

### [OPTIONAL]

1. Cut 1/2" galvanized steel conduit pipe to desired length. One for each corner post of trellis [Not included in kit].
2. Insert conduit pipe into pipe sleeve at tray corner stop and tighten set-screw. Repeat for all four corners
3. Install trellis frame by lifting above trellis corner verticals and slide down to desired height. This step requires two people to support trellis frame until upper set-screws are tightened.

**IMPORTANT:** If the feet have not yet been anchored to floor, remember to use the appropriate anchor for the flooring material. At least two (2) anchors per foot should be used.

