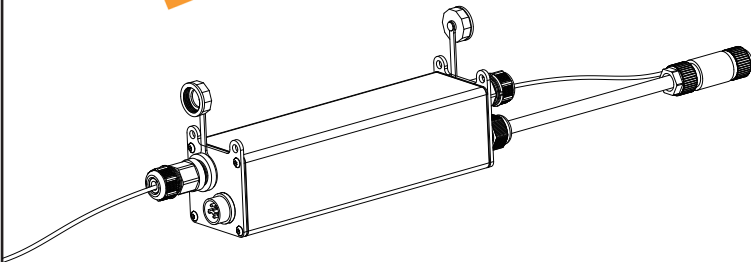


Gavita e-Series LED Adapter

GAVITA
HORTICULTURAL LIGHTING

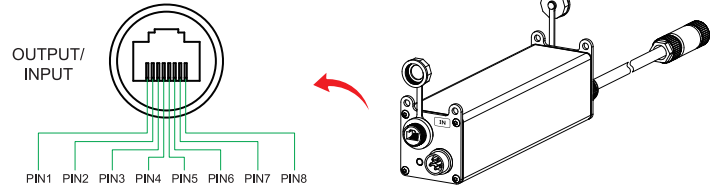
Instruction Manual



- 906150 Gavita® E-Series LED Adapter - 347 Volt
- 906151 Gavita® E-Series LED Adapter - 120 - 277 Volt

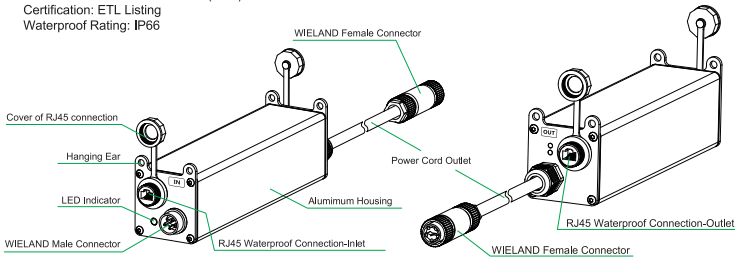
Control signal input and output

Controller(EL2) side (RJ9 4P4C)							
	PIN1	PIN2	PIN3	PIN4			
	SIG-out+	GND	GND	SIG-out+			
Fixture (INPUT)side (RJ45)							
PIN1	PIN2	PIN3	PIN4	PIN5	PIN6	PIN7	PIN8
N/A	VCC	SIG-in+	GND	GND	SIG-in+	VCC	N/A
Fixture (OUTPUT)side (RJ45)							
PIN1	PIN2	PIN3	PIN4	PIN5	PIN6	PIN7	PIN8
N/A	VCC	SIG-out+	GND	GND	SIG-out+	VCC	N/A

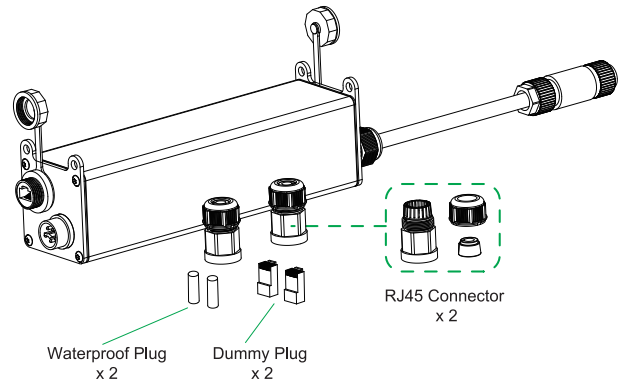


GAVITA® E-Series Adapter

Product Overview: Provides power and control signals for the grow light
 Product Name: Gavita® E-Series Adapter
 Model:
 906150 Gavita® E-Series LED Adapter - 347 Volt
 906151 Gavita® E-Series LED Adapter - 120 - 277 Volt
 Product Assembly Size: 290*65*77.5 mm / 11.42*2.56*3.01 in (Excluding Power Cord)
 Power Cord Length: ≈720 mm/28.35 in
 Package Size: 333*103*72 mm/13.11*4.06*2.83 in (1 pc/ctn)
 Case Size: 345*330*310 mm/13.58*12.99*12.20 in (12 ctns/case)
 Accessories: RJ45 connector *2 (IP66)
 Certification: ETL Listing
 Waterproof Rating: IP66



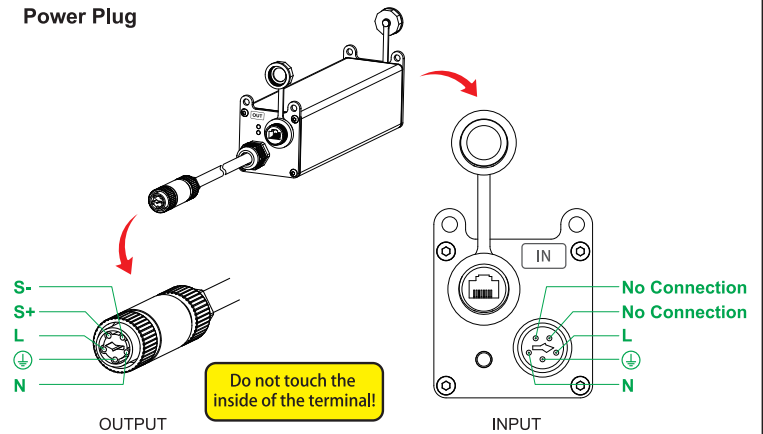
Components



Specifications

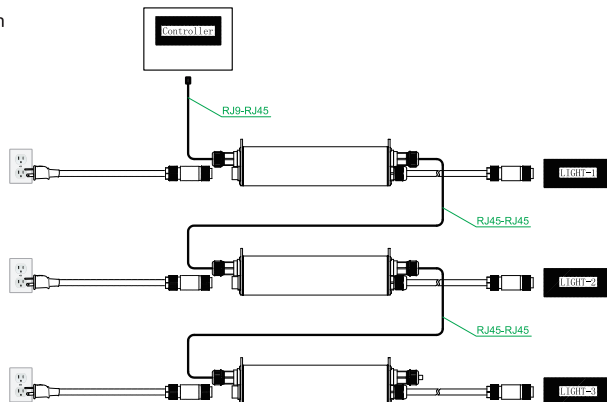
	906150 Gavita® E-Series LED Adapter - 347 Volt	906151 Gavita® E-Series LED Adapter - 120 - 277 Volt
Product #	906150	906151
INPUT Voltage±10%	347 V AC	120-277 V AC
INPUT current (max)	2.2 A	6.3A@120 VAC, 2.7A@277 V AC
LED Fixture Power max	750 W	750 W
Frequency	50/60 Hz	50/60 Hz
Temperature Ambient	32-113 °F (0-45 °C)	32-113 °F (0-45 °C)

Power Plug



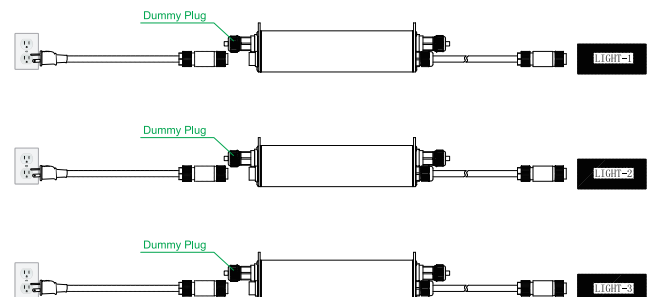
A: Controlled with Light Controller EL2

① Application

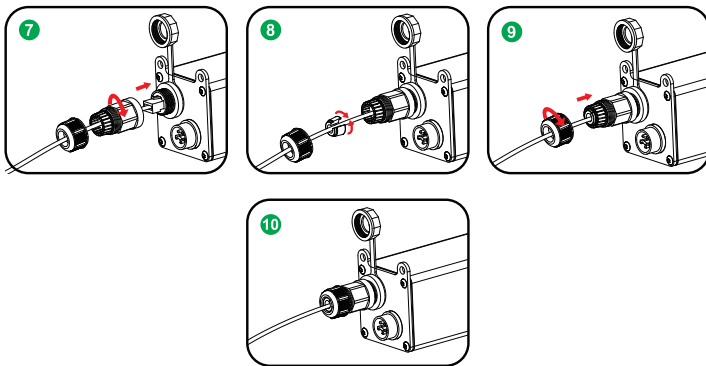
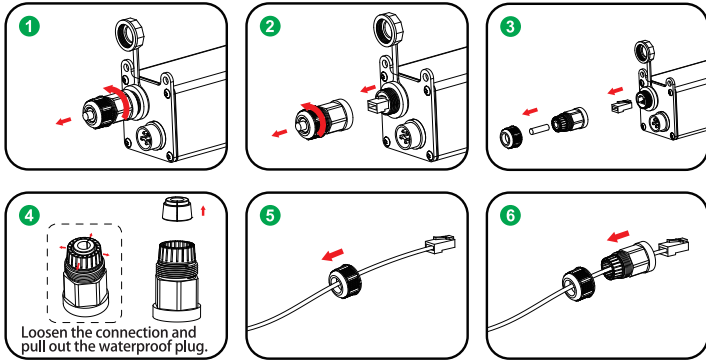


B: Plugged in Dummy Plug

① Application



② RJ45 Signal Cable Connection



6 8 Tighten the thread!

This device complies with part 15 of the FCC Rules. Operation is subject to the following two conditions:

- (1) This device may not cause harmful interference
- (2) This device must accept any interference received, including interference that may cause undesired operation

Note

An over-current protection device (no greater than 16A) should be in series with the adapter.
Un dispositif de protection contre les surintensités (pas plus de 16 A) doit être connecté à l'adaptateur.

The adapter should be connected to a mains socket outlet with a protective earth ground connection.
L'adaptateur doit être branché sur une prise secteur avec une connexion de protection de terre.



HAWTHORNE GARDENING™

co

Manufactured for Hawthorne Hydroponics LLC,
a subsidiary of The Hawthorne Gardening Company
3204 NW 38th Circle, Vancouver, WA 98660
HawthorneGC.com | Canada: HawthorneGC.ca

©2019 Worlds rights reserved.

www.gavita.com



LIMITED WARRANTY: When purchased from an authorized Hawthorne dealer, this product is covered by a LIMITED WARRANTY available at hawthornegc.com/warranties. You can also obtain the Terms of Sale and Limited Warranty by calling Hawthorne toll free at: 1-888-478-6544 or writing Hawthorne at: Hawthorne Hydroponics LLC, 3204 NW 38th Circle, Vancouver, WA 98660., Attn: Customer Service.