

Lo-Flo Standard Starter Kit

Water-Powered Nutrient Delivery System

Item Number: **HYKSTART-STD**

Specifications

The Lo-Flo Standard Starter Kit includes all the parts you need for the inlet of your Nutrient Delivery System. It is best suited for systems with consistent inlet pressure or utilizing a constant pressure pump. It is also ideal for use in conjunction with a booster pump or a pump with VFD control.

In cases with higher pressure levels on the inlet side of the system (>85 PSI) the installation of a pressure regulator is recommended (see **HYKSTART** kit).

To Complete the Lo-Flo Nutrient Delivery System, you will also need Dosatron Injectors, Mixing Chamber Kit(s), pH/EC Monitor Kit or END Kit, and a Water Hammer Arrestor Kit.



**Parts ordered may look slightly different than the image displayed, but the fit and function will be the same.

Description	Item #
Lo-Flo Water-Powered Standard Starter Kit 3/4"	HYKSTART-STD

To order call 1-800-523-8499

Lo-Flo Nutrient Delivery System Installation

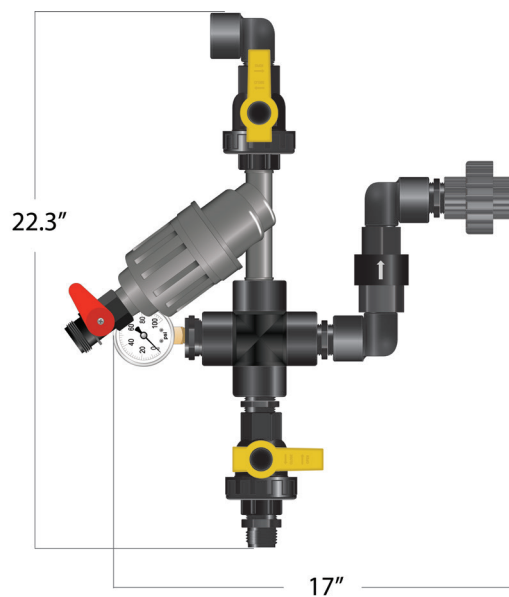
The Nutrient Delivery System is customizable; more dosers can be added as needed.

*Light blocking mixing chamber Sunshade sleeve sold separately - Item # MC34-SHADE.



Lo-Flo Standard Starter Kit

Dimensions



To order call 1-800-523-8499