

# GROWONIX

TUNED FOR GROWING



## UV-2 OWNERS MANUAL

[WWW.GROWONIX.COM](http://WWW.GROWONIX.COM)



Built in the U.S.A.

# UV-2 COMPONENT DIAGRAM

READ ENTIRE MANUAL THOROUGHLY  
BEFORE INSTALLING THIS ULTRA-VIOLET LIGHT UNIT



- 1. Housing
- 2. Open End Nut
- 3. Closed End Nut
- 4. Quartz Sleeve
- 5. UV Lamp
- 6. Electronic Ballast
- 7. Rubber Boot
- 8. 4-Pin Electrical Socket
- 9. Mounting Clips
- 10. O-Rings
- 11. Fittings

# UV-2 SETUP INSTRUCTIONS

- First remove lamp from packaging. Try not to touch the bulb with your hands. The oils may cause hot spots on the bulb and early failure.
- Bulbs should be replaced yearly.

1



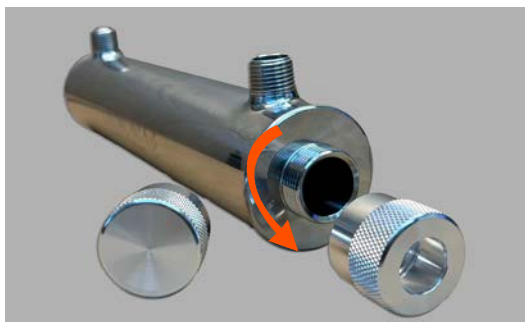
Check that all components are inside:  
UV Housing, UV Lamp, Quartz Sleeve, O-Rings, Ballast, Mounting Clips & Fittings.

2



Make sure the Quartz Sleeve and UV Lamp are clean before installation (Clean with alcohol or mild detergent). Wear soft non-abrasive gloves to keep any finger marks away from them.

3



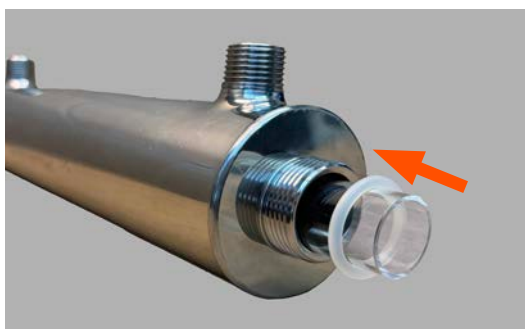
Remove both Open and Closed End Nuts from UV Housing.

4



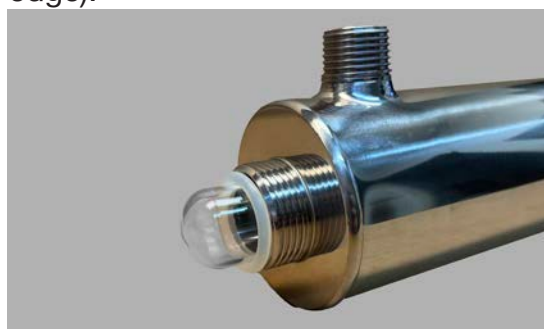
Install O-Ring onto the open end of the Quartz Sleeve (12mm from the edge).

5



Insert Quartz Sleeve into the UV Housing.

6



Install O-Ring onto the closed end of Quartz Sleeve.



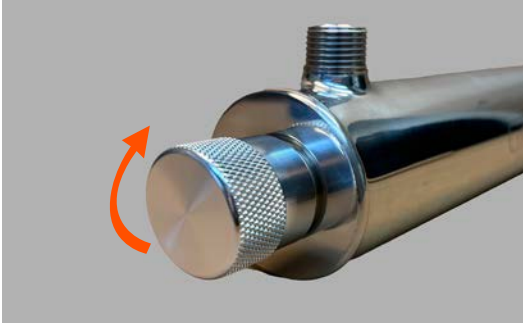
**DO NOT LOOK DIRECTLY AT ILLUMINATED UV BULB!!  
UV LIGHT WILL CAUSE DAMAGE TO EYES!!**



# UV-2 SETUP INSTRUCTIONS

- Lamp replacement is recommended every 8,000 hrs of operation. After 8,000 hrs, the lamp may still light, but the UV intensity has diminished.
- Clean Quartz Sleeve once every 3-6 months with alcohol or a mild detergent.

7



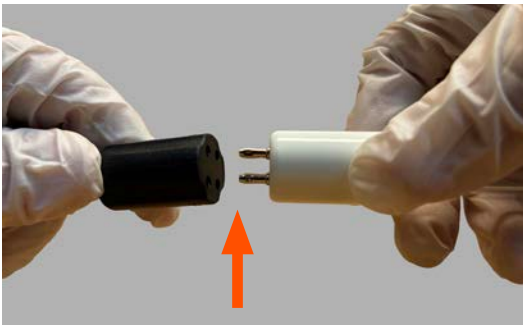
Hand-screw Closed End Nut onto the UV Housing (closed end of the Quartz Sleeve). To protect the O-ring, do not over tighten.

8



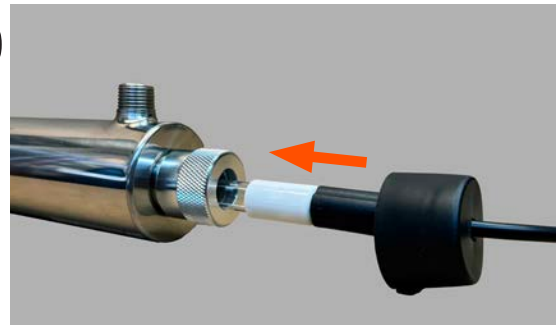
Hand-screw Open End Nut onto the UV Housing (open end of the Quartz Sleeve). To protect the O-ring, do not over tighten.

9



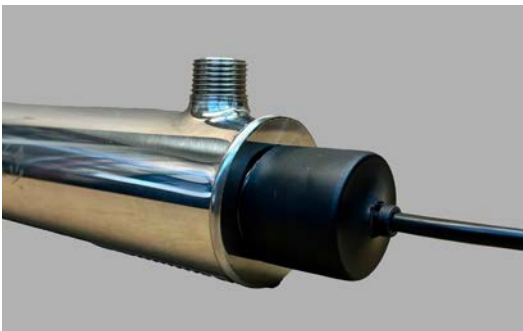
Connect 4-Pin Electrical Socket with UV Lamp pins tightly.

10



Carefully insert the UV Lamp into the Quartz Sleeve through the Open End Nut.

11



Install the Rubber Boot and hand-tighten onto the Open End Nut.

12



Mount UV with supplied clips to RO Filter, Wall, Storage Tank, Etc...

13 Connect water lines. Slowly start the system and check for leaks. If no leaks, connect the power for start up.



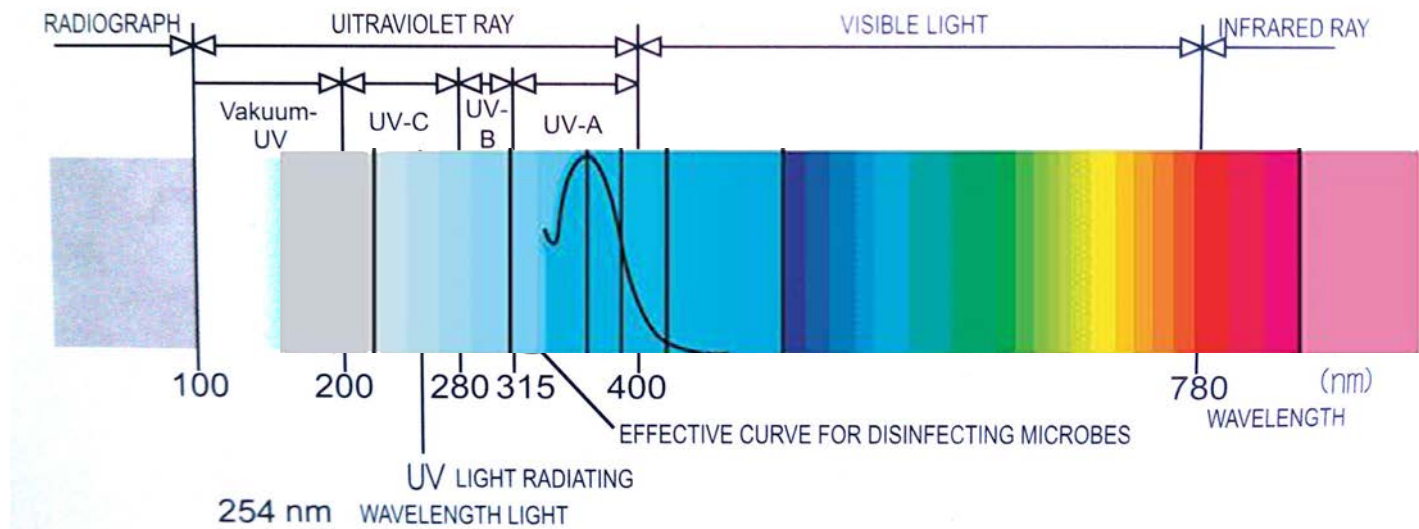
**DO NOT LOOK DIRECTLY AT ILLUMINATED UV BULB!!  
UV LIGHT WILL CAUSE DAMAGE TO EYES!!**



# AREAS OF APPLICATIONS

<ul style="list-style-type: none"> <li>• RO Water System</li> <li>• De-ionization</li> <li>• Rinse Water</li> </ul>	<ul style="list-style-type: none"> <li>• Hot/Cold Water Dispenser</li> <li>• Coffee Machine</li> <li>• Wash Water</li> </ul>	<ul style="list-style-type: none"> <li>• Water purification System</li> <li>• Potable Water</li> <li>• Bottle Water</li> </ul>
---	--	--

## ELECTROMAGNETIC WAVE DRAWING



### NOTICES:

- When the UV is installed and running, the first 280cc of water will be warmer than normal. When the system to which the UV is connected is not in use, the water will warm up after 25 minutes. You may flush the RO System filter before use to remove the warmer water.
- Do not look directly at the ultraviolet rays emitting from the UV lamp or it may cause eye damage.
- Unplug the UV electrical cord before servicing and/or cleaning the UV lamp or housing.

PART #	IN / OUT	VOLTAGE	BALLAST INPUT POWER	FLOW RATE	MAXIMUM OPERATING PRESSURE	LAMP LIFE	AUDIBLE LAMP ALARM
UV-1	1/4" FPT	110V~120V / 60HZ 220V~240V (special order)	10-17W	1 GPM	116psi	8,000 hrs.	Yes
UV-2	1/2" MPT	110V~120V / 60HZ 220V~240V (special order)	10-17W	2 GPM	116psi	8,000 hrs.	Yes
UV-4	1/2" FPT	110V~120V / 60HZ 220V~240V (special order)	24W	4 GPM	125 psi	9,000 hrs.	Yes
UV-6	1/2" MPT	110V~120V / 60HZ 220V~240V (special order)	19-28W	6 GPM	116psi	8,000 hrs.	Yes
UV-12	3/4" MPT	110V~120V / 60HZ 220V~240V (special order)	40-55W	12 GPM	116psi	8,000 hrs.	Yes

# GROWONIX SYSTEM WARRANTY

For a period of one year from the date of original purchase, we will replace or repair any part of the GrowoniX reverse osmosis water system that we find to be defective in operation due to faulty materials or workmanship with the EXception of the replaceable filters and membranes.

## GENERAL CONDITIONS

Damage to any part of this reverse osmosis system because of misuse; misapplication; negligence; alteration; accident; installation; or operation contrary to our instructions, incompatibility with accessories not installed by GrowoniX, or damage caused by freezing, flood, fire, or Act of God, is not covered by this warranty. In all such cases, regular charges will apply. This limited warranty does not include service to diagnose a claimed malfunction in this unit. This warranty is void if the claimer is not the original purchaser of the unit or if the unit is not operated under normal municipal water or well water conditions.

GrowoniX assumes no liability in connection with this reverse osmosis system. GrowoniX assumes no liability for any damages incurred through the use of this product. It is the responsibility of the end user to gauge the safe use of this product in the environment where it is applied. We do not authorize any person or representative to assume for us any other obligations on the sale of this reverse osmosis system. The information given out in the manual we believe to be true, but are offered to you in good faith without guarantee because each application of this product is different and beyond our control.

THE FOLLOWING STANDARD OPERATING CONDITIONS FOR RESIDENTIAL/COMMERCIAL REVERSE OSMOSIS SYSTEMS MUST BE MET FOR WARRANTY TO BE VALID.

	Water Pressure	pH Range	Maximum TDS	Water Temp
Standard System	40-80 psi	2-11	2000 ppm	40-100 F

## GROWONIX RETURN POLICY

### MERCHANDISE RETURN DETAILS AND PROCEDURE:

If any merchandise was defective —we will refund the full purchase price upon receiving and reviewing the merchandise returned in undamaged condition.

### RMA NUMBER:

You must first obtain a Return Merchandise Authorization (RMA) number from GrowoniX.com. Any products sent to GrowoniX without an RMA number will not receive a refund and may be returned to the sender at their expense.

All refund amounts will be based on the manufacturer's warranty and GrowoniX return policy. Refunds will be issued back using the payment method you used when you placed your order. Refunds take up to 3-5 business days to process once we receive the return.

### PACKAGING:

Please kindly re-pack the product in its original box, or a box of equivalent strength. The unit should be packed in the same manner as it came to prevent damage in shipping. Please return everything that was in the original box, including any free items if applicable. Be sure to drain out all water from wet systems and parts and wrap them in plastic bags before packing.

### RETURN TO:

We will provide you with an GrowoniX warehouse address for return merchandise when we issue the RMA number.