

MAINTENANCE

The motor and the fan wheel should be periodically inspected. Inspect every six months if continuously operated.

The appliance maintenance shall be carried out only by qualified persons.

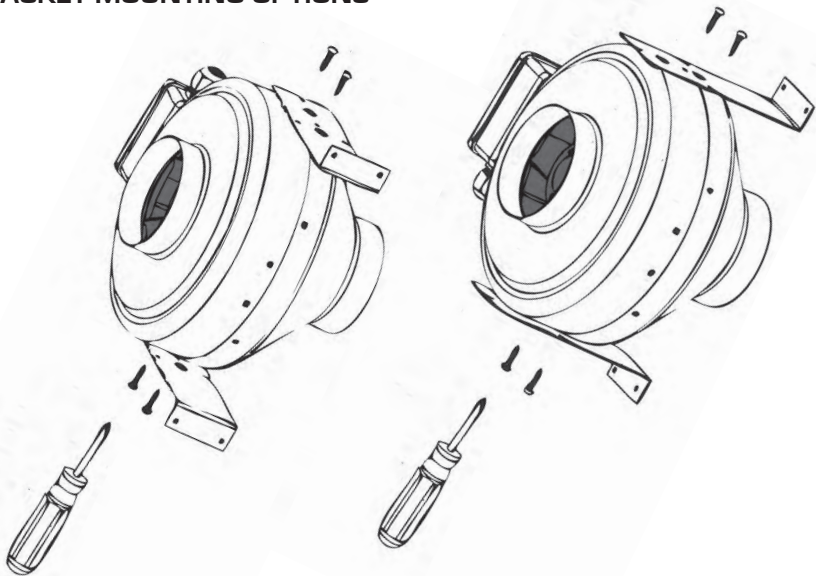
All fasteners should be checked to make sure they are securely tightened. In addition, all rotating items should be checked for easy mobility. When inspecting the unit, disconnect it from the power supply and any duct work. If debris is evident on the impeller, clean it with a damp (not wet) cloth.

DO NOT use detergents or abrasive materials for cleaning.

Hurricane Inline Fan Specifications

PART#	SIZE	VOLTS	AMPS	WATTS	CFM	RPM	WEIGHT/LB.
736570	4"	120	0.95	113	171	2910	8
736575	6"	120	0.97	115	435	2915	9
736580	8"	120	1.72	198	745	2530	12
736585	10"	120	2.1	236	780	2480	12
736590	12"	120	2.5	300	1060	2575	16

BRACKET MOUNTING OPTIONS



Hurricane[™]

www.hurricane-fans.com

Hurricane[™]

INLINE FAN SERIES
INSTRUCTION SHEET



Please read instructions carefully before using this product. Manufacturer will not be held responsible and declines any and all liability for damage caused to persons or property due to improper use with reference to the precautions outlined in this manual.

This manual explains how to correctly install, use and perform maintenance on Hurricane[™] inline fans. Follow these instructions to ensure that the product will be electrically and mechanically reliable and extend its service life.

Remove the inline fan from its package, and visually inspect for damage.

- Make sure that the fan housing and the fan wheel are not damaged.
- The fan wheel should rotate freely without catching or scraping the internal housing and be securely fastened to its rotation shaft.

Contact a qualified person or place of purchase if there are any questions about the Hurricane inline fan.

- Do not leave packing materials within reach of children. Do not dump any materials into the environment (polystyrene, plastic, polypropylene, etc.).
- If the product is dropped or the box is damaged, immediately contact your retailer to check that the product operates properly.

KEEP THESE INSTRUCTIONS READILY AVAILABLE

GENERAL PRECAUTIONS

The use of electrical devices require compliance with these basic rules:

- DO NOT touch the device with wet hands, wet clothing, etc.
- NEVER allow the unit to directly contact wet or moist environments.
- DO NOT allow the product to be operated by children or unskilled people.
- NEVER place anything near or in the intake or exhaust ports of fan.

Connect the product to the main power supply or electrical outlet only if:

- Your electrical voltage and frequency corresponds to those shown on the rating plate.
- The main power supply is sufficient to operate the product at its maximum power.

If power supply is not sufficient, contact professionally qualified personnel.

- It is recommended that the product is switched off when not in use.
- Before carrying out any maintenance or cleaning, disconnect from the power supply.
- If a fault, malfunction or anomaly of any type occurs, disconnect from power supply and immediately contact qualified personnel.

Always request original parts for any repairs.

- If the product needs to be removed, turn off main circuit breaker and then disconnect the device from that circuit.

Place the device in a safe location far from children and/or pets.

The electrical system to which the fan is connected must comply with the current standards & codes regarding electrical systems for the parts concerning the application of our devices.

SPECIAL PRECAUTIONS

- The Hurricane Inline Duct Fan is professionally manufactured and complies with the current standards regarding electrical equipment.
- Do not use the product at an ambient temperature greater than 40 °C (104 °F).
- Do not allow the product to be exposed to rain, sun, snow, etc.
- Do not place the device or relative parts in water or liquids.
- When cleaning or performing routine maintenance, check the condition of the device. Please see Maintenance Section for proper cleaning.
- To avoid risk of fire, do not use the product in the presence of flammable substances or vapours such as alcohol, insecticides, gasoline, etc.

Hurricane[™]

INSTALLATION

The installer must read the following instructions very carefully before using the product. The manufacturer will not be held responsible for injury to persons or damage to property due to improper use with reference to the precautions outlined in these instructions.

- Do not exhaust hazardous or explosive vapors. For general ventilation use only.
- The device must be installed by a professionally qualified electrician in accordance with all applicable codes and standards, including fire-rated construction.
- To ensure optimum operation, do not block the air intake and exhaust vents. CAUTION: this unit has an unguarded impeller. DO NOT use in locations readily accessible to people or animals.

MODE OF INSTALLATION

Wear gloves to safely move and/or install this inline fan.

Secure the Hurricane Inline Fan with clamps when attaching ducting (see Fig. 1).

The wiring diagram is directly under the contact box cover (Fig.2).

When all electrical connections are complete, check that the connection terminals are securely tightened, close the box lid and start the inline fan.

NOTE: Because this fan comes pre-wired with a standard 120 volt power cord, no additional wiring modifications are necessary

After the inline fan has started, check to make sure:

- The rotation direction is correct.
- The absorbed current corresponds to the rating.
- Excessive vibrations compromise the appliance stability.

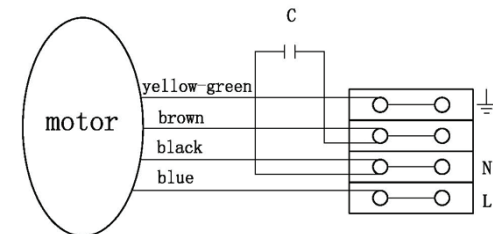
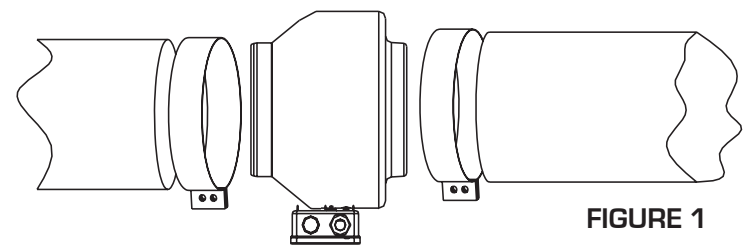


FIGURE 2

Hurricane[™]