



## AUTOMATE YOUR NUTRIENT DELIVERY

The Nutrient Delivery System (NDS) is an assembly of high-quality dosers connected with easy-to-configure kits. The NDS thrives anywhere, from greenhouse environments to outdoors, allowing installation in any application.

The NDS features both Water-Powered Dosatron Dosers, and Electric Etatron Dosing Pumps, whose proven technology of reliability and accuracy has been upheld for over 40 years.

With total dilution control in mind, customizing the system is easy, based on your personal nutrient program. It provides increased quality, and makes the process of blending and dispensing nutrients easier and more accurate.

- Automate the Nutrient Delivery process to reduce human error
- Decrease labor cost and increase profits
- Repeatable performance with a simple interface
- No Venturi tips, no clogs
- Modular kit concept allows for a customized system to fit every application
- Outstanding customer service and technical support

# The Heart of Our Systems



---

## Dosatron Dosers

### Water-Powered

Water-powered, no electricity is needed

Easy to adjust, just turn the dial to set the necessary dosage rate

Volumetric proportioning, ensuring the mixture remains consistent, regardless of variations in pressure and flow

Piston technology, mixing the water flowing through the doser with the concentrate for a blended solution



---

## Etatron Pumps

### Electric

Energy saving, microprocessor metering pump

Provides consistent dosing

Standard PVDF solenoid head

Compact design

IP65 acid resistant housing

Programmable dosing, automatically adjusts the frequency of the dose based on the flow rate

# The NDS Series

Perfect for: Nutrients • Fertilizers • Insecticides • Fungicides  
Acids • Caustics • Wetting Agents • Disinfectants • Cleaners

## Lo-Flo Series

- Water-Powered - 3/4 inch System Kits  
(Flow range of 2 - 10 GPM)
- Electric - 3/4 inch System Kits  
(Flow range of 0.5 - 20 GPM)
- Micro-Doser System - 3/4 inch Kit  
(Flow range of 0.5 - 20 GPM)

## Hi-Flo Series

- Water-Powered - 1 1/2 inch System Kits  
(Flow range of 5 - 40 GPM)
- Electric - 1 1/2 inch System Kits  
(Flow range of 5 - 60 GPM)
- Micro-Doser System - 1 1/2 inch Kit  
(Flow range of 5 - 60 GPM)

## Mega-Flo Series

Flow range of 5 - 400 GPM

- Dosatron D20S - 100 GPM  
2 inch NPT
- Dosatron D132 - 132 GPM  
3 inch NPT
- Dosatron D400 - 400 GPM  
4 inch Flange

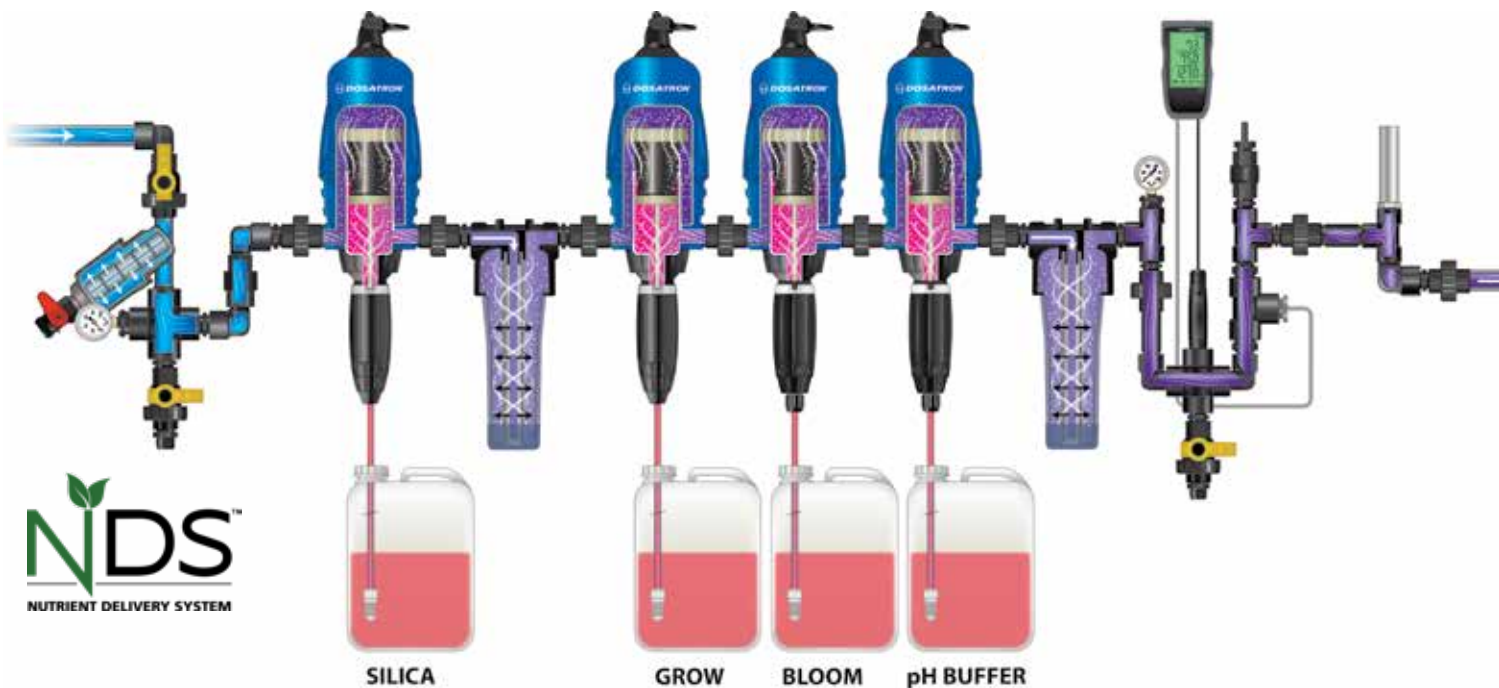


We thought it through!

# HOW IT WORKS

## Water-Powered NDS

Applications: Drip Irrigation • Vertical Farming • Overhead Irrigation  
Grow Towers • Octo-Bubbler System • Batch Tank Fill



Water-powered, energy saving

Customizable and expandable by adding more dosers

Works with various substrates and irrigation methods

Easily doses different nutrients, additives, or supplements, plus a pH adjuster for a perfect, well-blended solution

Makes the time draining practice of “measure and pour” a thing of the past, saving you time and money



# HOW IT WORKS

## Electric NDS

Applications: Drip Irrigation • Vertical Racking Systems • Ebb and Flow  
Batch Tank Management • Pulse Irrigation Method • Controlled Dosing

Turnkey fertigation system

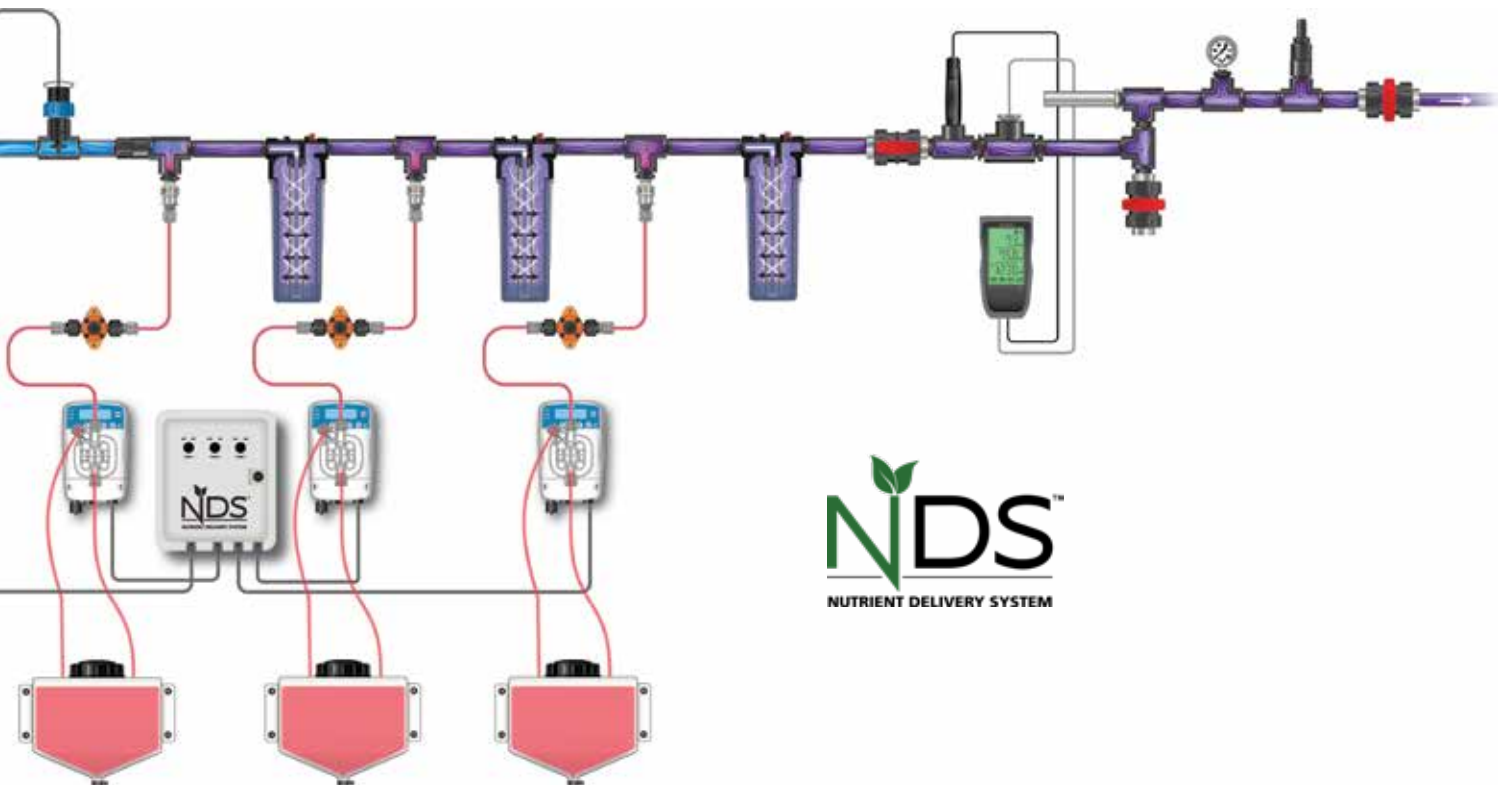
Includes flow control pre-wired components  
and all necessary installation hardware

Wide selection of dosing pumps capable of  
dosing high-concentrate chemistries

Can achieve lower dilution rates

Expandable up to 12 dosing pumps

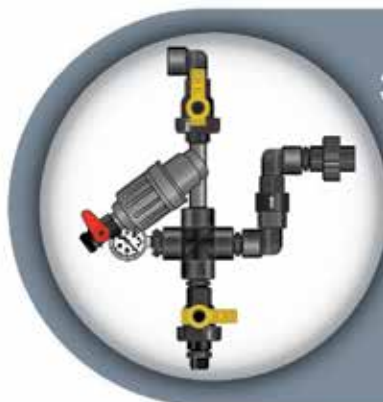
Ideal for pulse irrigation



# LO-FLO SERIES

## 3/4 inch Water-Powered NDS

How to configure your Lo-Flo System with Dosatron and the customizable Nutrient Delivery System Kits



### 3/4" DAB Starter Kit

This kit includes all the parts you need for the inlet of your Nutrient Delivery System.

Item #: HYKSTART-DAB

For high pressure situations use the Standard Starter Kit - Item #: HYKSTART



1



### 3/4" Mixing Chamber Kit

This kit will enhance the blending as the solution passes through. It's a must have for silicates!

Item #: HYKMC34

\*\*Mixing Chamber sleeve Sunshade sold separately  
Part #: MC34-SHADE

2



If you have any questions, please contact our Customer Support team via Live Chat at [www.dosatronusa.com](http://www.dosatronusa.com)

NOTE: Installation illustrations are for informational purposes only.

# It is easy

1. Determine the number of products being dosed and their application rate/ranges
2. Determine the flow requirements of the irrigation system that will be fed by the NDS
3. Choose the appropriate Dosatron dosers by referring to the **Dosatron Doser Selection Chart**
4. Pick the Water-Powered NDS Kits that you need from the graphic below



call 1-800-451-6628 or  
www.dilutionsolutions.com

to be used as a reference guide only

\*Multiple Monitor options available

# LO-FLO SERIES

## 3/4 inch Electric NDS

How to configure your Lo-Flo System with Etatron and the customizable Nutrient Delivery System Kits

### 1 STARTER KIT

Item # ESTART-L

This kit includes all the parts you need for the inlet of your Nutrient Delivery System



### 2 FLOW CONTROL KIT

Item # EFC-K

Measures and communicates the flow rate to the dosing pumps



### 3 EXPANSION BOX KIT

Item # EEB-K

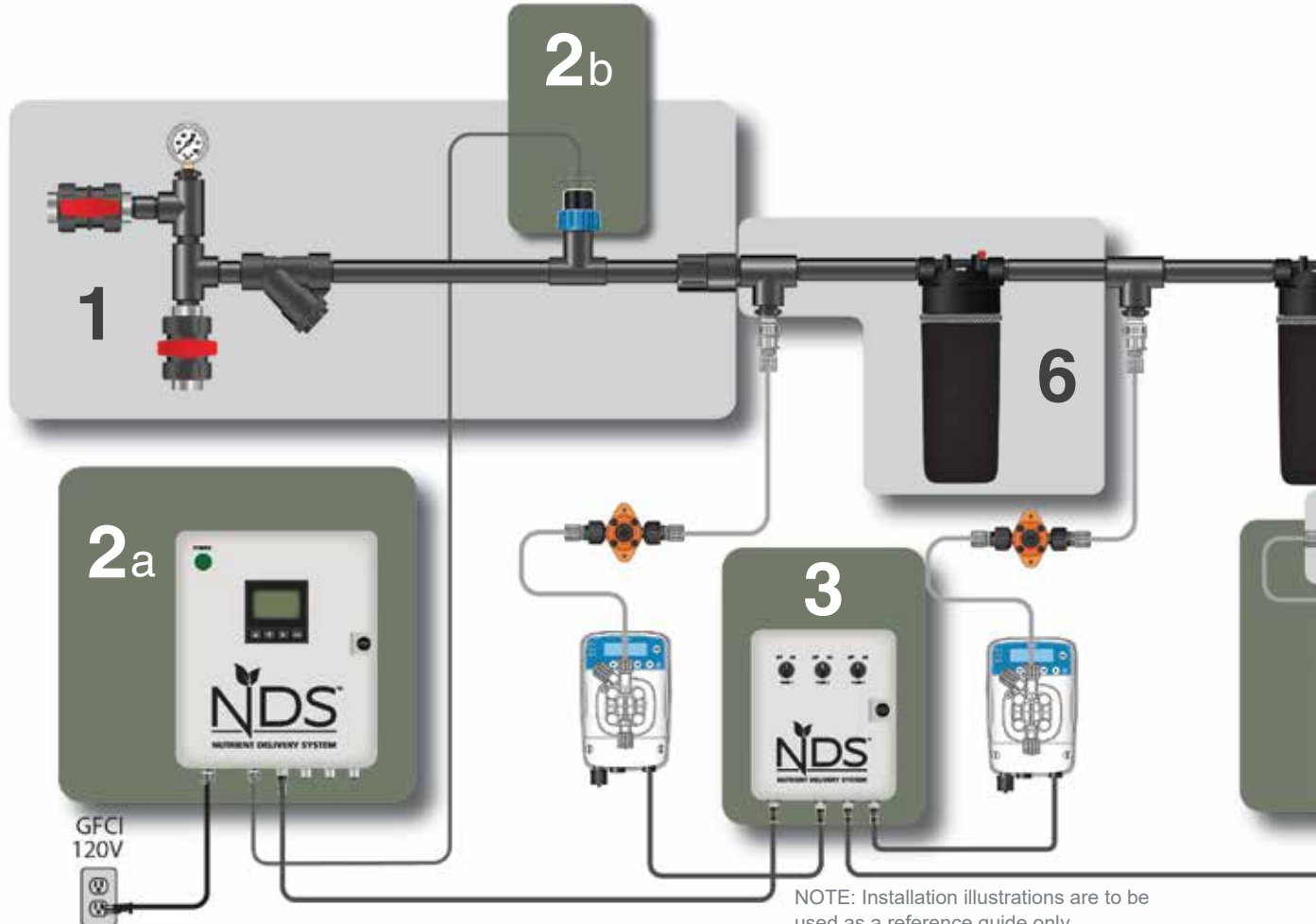
Connects with the flow control for the easy addition of dosing pumps



### 4 eOne PUMP KIT

See pump selection chart for Item #

Includes a pre-wired cable for an easy connection into the system



NOTE: Installation illustrations are to be used as a reference guide only



# It is easy

1. Determine the number of products being dosed and their application rate/ranges
2. Determine the flow requirements of the irrigation system that will be fed by the NDS
3. Choose the appropriate Etatron pumps by referring to the **eOne Selection Chart**
4. Pick the Electric NDS Kits that you need from the graphic below

## 5 PRV KIT Item # EPRV

Assures consistent pressure, pre-tunes dosage rates, and prevents siphoning of valuable nutrients



## 6 INJECTION MIXING KIT See kit chart for Item #

Creates homogeneous blending of nutrients with the passing solution. Multiple options available



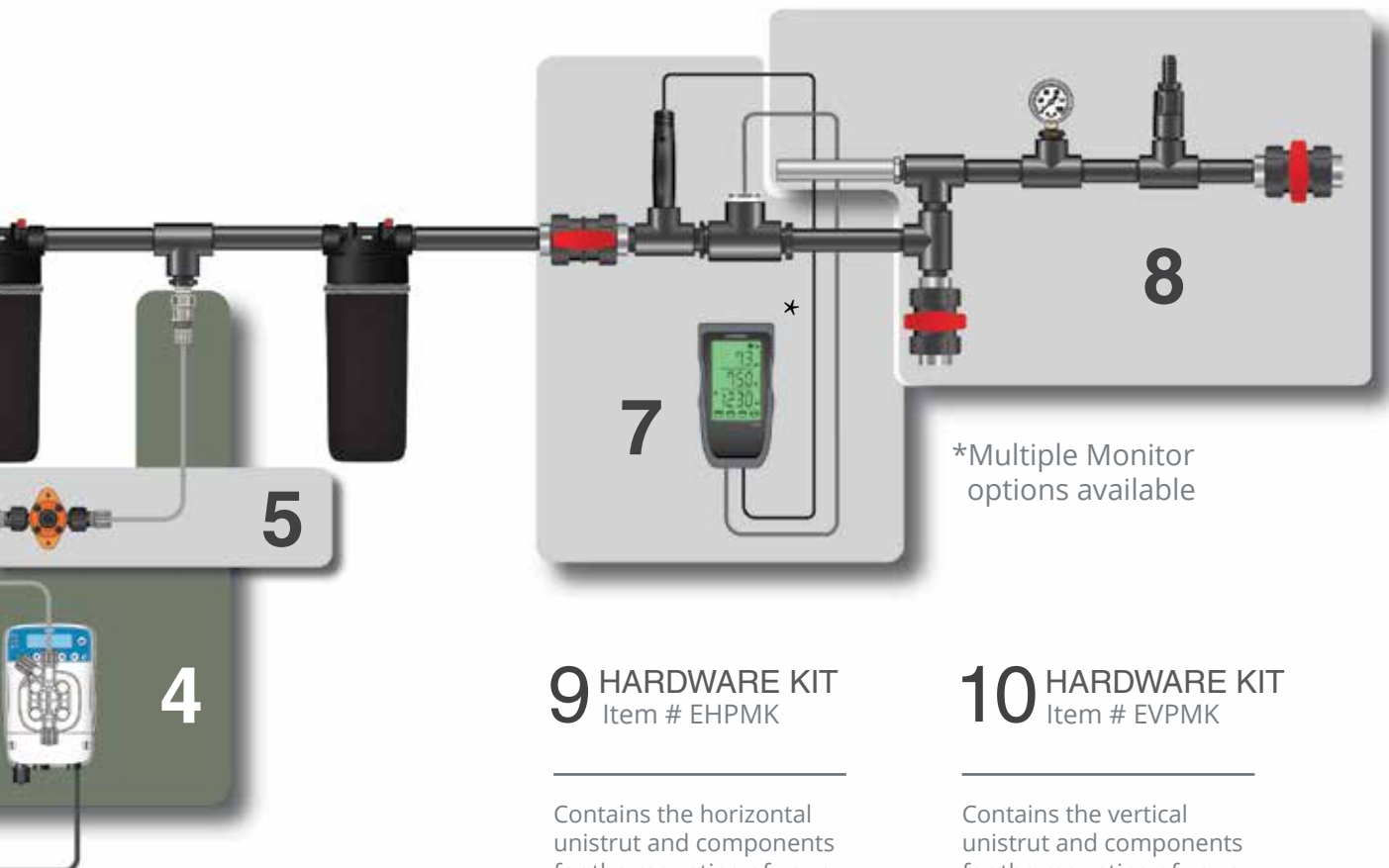
## 7 MONITOR KIT Item # EMON-L

Monitors pH and EC levels, and displays a snap-shot of the nutrient solution as it passes over the probes



## 8 END KIT Item # EEND-WL

Protects the system from harm caused by abrupt changes in the line-pressure



## 9 HARDWARE KIT Item # EHPMK

Contains the horizontal unistrut and components for the mounting of your Electric NDS

## 10 HARDWARE KIT Item # EVPMK

Contains the vertical unistrut and components for the mounting of your Electric NDS

# HI-FLO SERIES

## 1 1/2 inch Water-Powered NDS

How to configure your Hi-Flo System with Dosatron and the customizable Nutrient Delivery System Kits



### 1 1/2" Starter Kit

This kit includes all the parts you need for the inlet of your Nutrient Delivery System.

Item #: HYKSTART150

1



### 1 1/2" Mixing Chamber Kit

This kit will enhance the blending as the solution passes through. It's a must have for silicates!

Item #: HYKMC150

2



If you have any questions  
CHAT at [www.dosatronusa.com](http://www.dosatronusa.com)

NOTE: Installation illustrations are to

## It is easy

1. Determine the number of products being dosed and their application rate/ranges
2. Determine the flow requirements of the irrigation system that will be fed by the NDS
3. Choose the appropriate Dosatron dosers by referring to the **Dosatron Doser Selection Chart**
4. Pick the Water-Powered NDS Kits that you need from the graphic below

3

### 1 1/2" Water Hammer Arrestor Kit

This kit protects the NDS from water hammer, keeping the system clicking for years to come.

Item #: WHA150-SS-KIT



4

### 1 1/2" Monitor Kit

The in-line nutrient monitor measures and displays the well blended outgoing solution providing peace of mind.

Item #: HYKMON150



**NDS™**  
DELIVERY SYSTEM

call 1-800-451-6628 or  
www.dilutionsolutions.com

be used as a reference guide only

\*Multiple Monitor options available

# HI-FLO SERIES

## 1 1/2 inch Electric NDS

How to configure your Lo-Flo System with Etatron and the customizable Nutrient Delivery System Kits

### 1 STARTER KIT

Item # ESTART-H

This kit includes all the parts you need for the inlet of your Nutrient Delivery System



### 2 FLOW CONTROL KIT

Item # EFC-K

Measures and communicates the flow rate to the dosing pumps



### 3 EXPANSION BOX KIT

Item # EEB-K

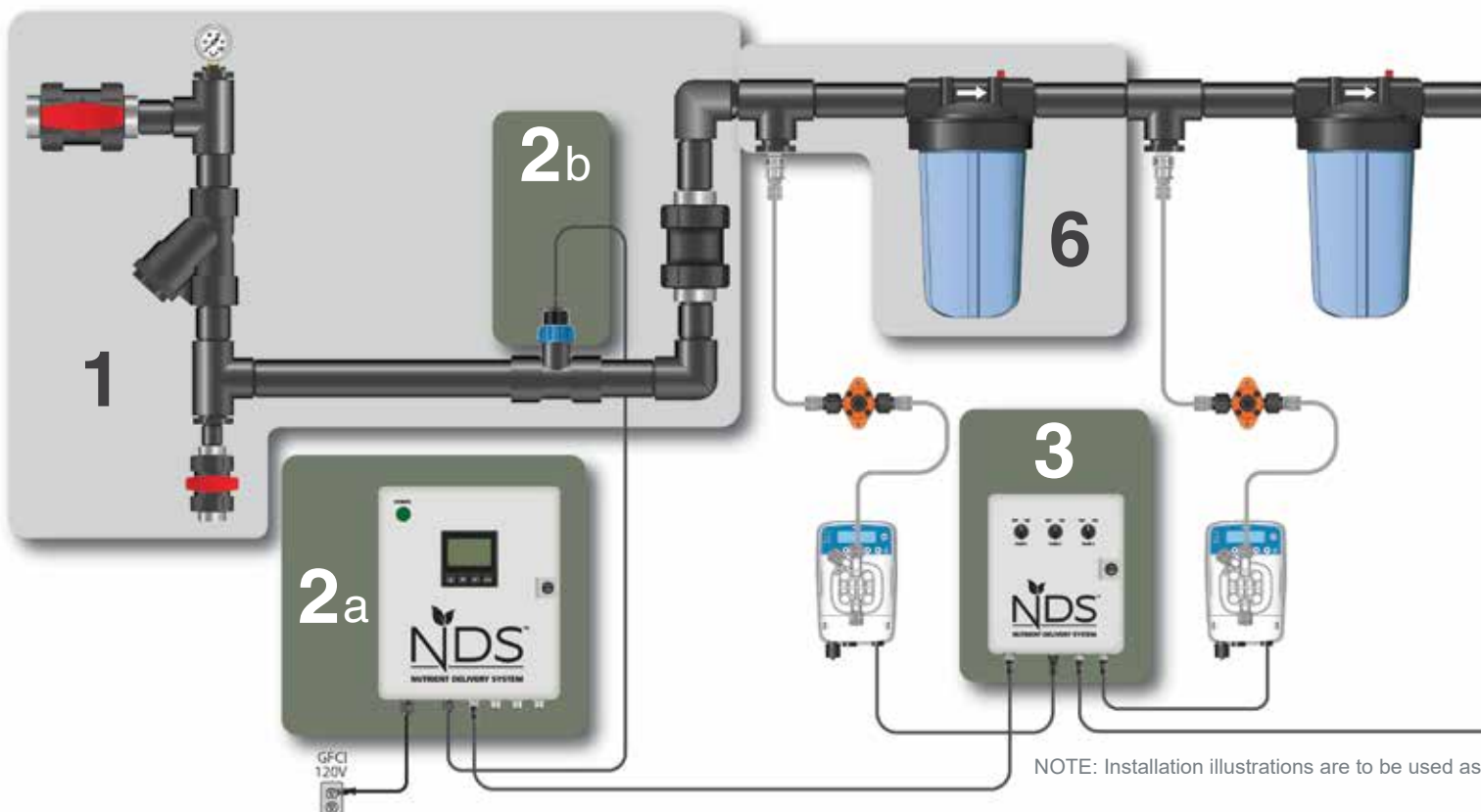
Connects with the flow control for the easy addition of dosing pumps



### 4 eOne PUMP KIT

See pump selection chart for Item #

Includes a pre-wired cable for an easy connection into the system



# It is easy

1. Determine the number of products being dosed and their application rate/ranges
2. Determine the flow requirements of the irrigation system that will be fed by the NDS
3. Choose the appropriate Etatron pumps by referring to the **eOne Selection Chart**
4. Pick the Electric NDS Kits that you need from the graphic below

## 5 PRV KIT Item # EPRV

Assures consistent pressure, pre-tunes dosage rates, and prevents siphoning of valuable nutrients



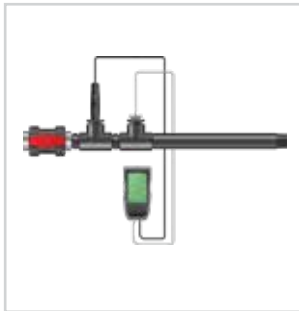
## 6 INJECTION MIXING KIT See kit chart for Item #

Creates homogeneous blending of nutrients with the passing solution. Multiple options available



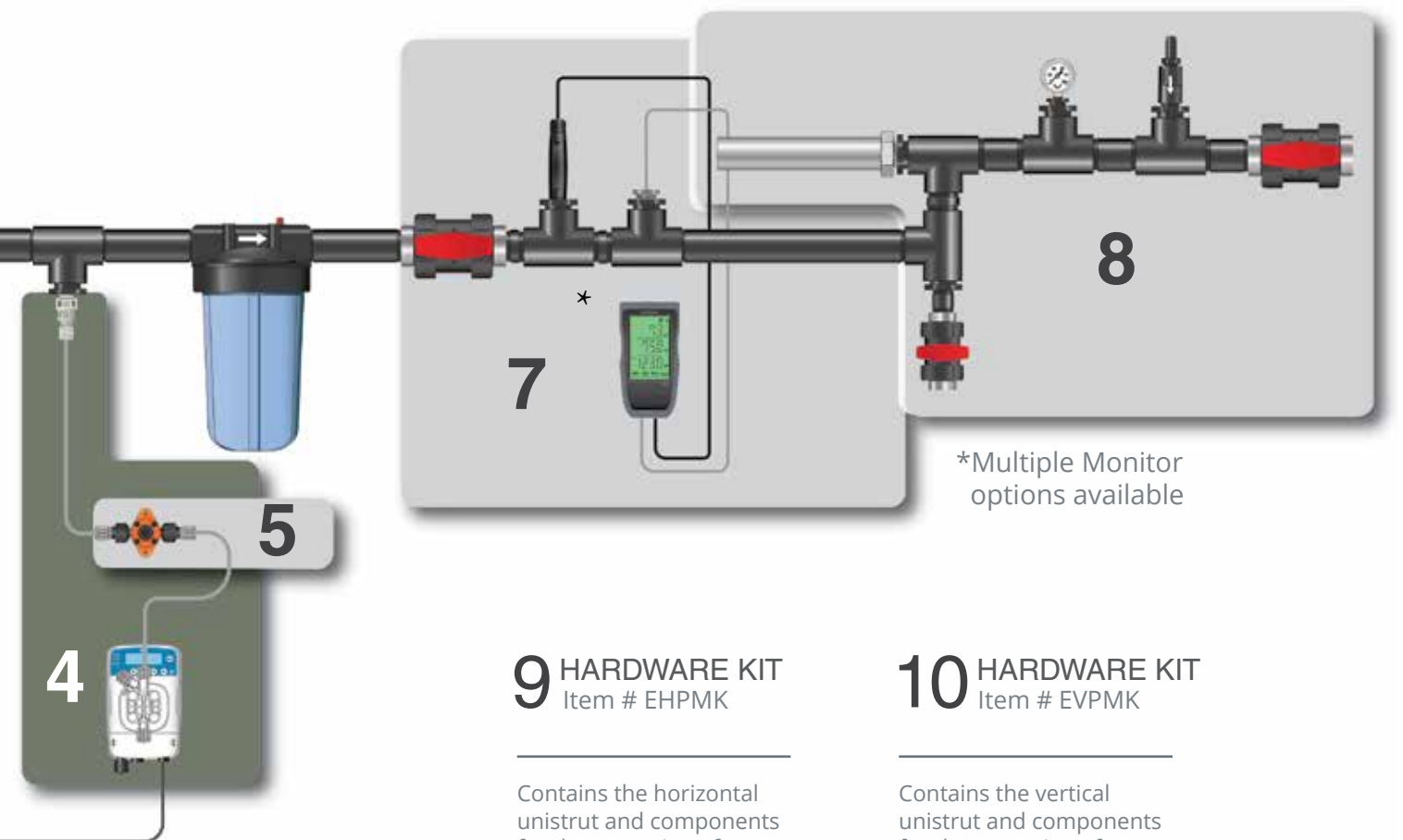
## 7 MONITOR KIT Item # EMON-H

Monitors pH and EC levels, and displays a snap-shot of the nutrient solution as it passes over the probes



## 8 END KIT Item # EEND-WH

Protects the system from harm caused by abrupt changes in the line-pressure



\*Multiple Monitor options available

## 9 HARDWARE KIT Item # EHPMK

Contains the horizontal unistrut and components for the mounting of your Electric NDS

## 10 HARDWARE KIT Item # EVPMK

Contains the vertical unistrut and components for the mounting of your Electric NDS





# REFERENCE CHARTS

Use these charts when selecting the proper Dosatron Water-Powered Dosers or Etatron Electric Dosing Pumps to be used with your Nutrient Delivery System.




For more information or for any help selecting your dosers and kits that better suit your application, call **1-800-451-6628**, or CHAT with us @ [www.dilutionsolutions.com](http://www.dilutionsolutions.com).

## Dosatron Doser Selection Chart

For use with **Lo-Flo Series** Water-Powered NDS

Lo-Flo Series Flow Range: 2 to 10 GPM				
<b>MODEL</b>	D25RE09VFBPHY	D14MZ3000VFBPHY	D14MZ2VFBPHY	D14MZ10VFBPHY
<b>INJECTION RANGE</b>	4 to 34 mL/gal	1.25 to 11 mL/gal	7.5 to 75 mL/gal	37.5 to 375 mL/gal
	0.01 to 0.9%	0.03 to 0.33%	0.2 to 2%	1 to 10%
<b>MAX PRESSURE</b>	85 PSI	85 PSI	85 PSI	85 PSI
<b>CONNECTIONS</b>	3/4" NPT	3/4" NPT	3/4" NPT	3/4" NPT

For use with **Hi-Flo Series** Water-Powered NDS

Hi-Flo Series Flow Range: 5 to 40 GPM			
<b>MODEL</b>	D8RE3000VFBPHY	D8RE2VFBPHY	D8RE5VFBPHY
<b>INJECTION RANGE</b>	1.25 to 4.85 mL/gal	7.5 to 75 mL/gal	37.5 to 190 mL/gal
	0.03 to 0.125%	0.2 to 2%	1 to 5%
<b>MAX PRESSURE</b>	116 PSI	116 PSI	116 PSI
<b>CONNECTIONS</b>	1 1/2" NPT	1 1/2" NPT	1 1/2" NPT

Dosatrons include: mounting bracket, suction hose, weighted strainer, one union\*, and quick start guide. Please review the basic installation drawing for recommended accessories. MAXIMUM TEMPERATURE: 104 °F. \*Each doser comes with a single union to connect to the next doser or kit

# eOne MF Pump Selection Chart

For use with **Lo-Flo** and **Hi-Flo Series** Electric NDS

Pump Model	Kit Item #	Single Stroke Volume at 50 PSI	mL/Gal at 10 GPM	mL/Gal at 20 GPM
0110 eOne MF	E0110MF-M	0.20	4	2
0216 eOne MF	E0216MF-M	0.32	10	5
0420 eOne MF	E0420MF-M	0.36	11	5
0607 eOne MF	E0607MF-M	0.37	11	6
0710 eOne MF	E0710MF-M	0.56	17	8
1012 eOne MF	E1012MF-M	0.73	22	11
1505 eOne MF	E1505MF-M	0.85	26	13
2007 eOne MF	E2007MF-M	1.17	35	18
3005 eOne MF	E3005MF-M	1.67	50	25

**NOTE:** Dosing rates may vary based on water flow, pressure, and chemical viscosity. Please contact Dilution Solutions experts for specific recommendations.

## Injection Mixing Kits for **Lo-Flo Series** Electric NDS

Injection Mixing Kit - Item #	Description	Kit Length Installed	Gallons (Configured spacing for common tank sizes)
EIM-LS	Lo-Flo Injection Mixing Kit - Small	11"	1 to 5
EIM-LM	Lo-Flo Injection Mixing Kit - Medium	21"	5 to 15
EIM-LL	Lo-Flo Injection Mixing Kit - Large	29"	25 to 55
EIM-LXL	Lo-Flo Injection Mixing Kit - X-Large	53"	275 tote

## Injection Mixing Kits for **Hi-Flo Series** Electric NDS

Injection Mixing Kit - Item #	Description	Kit Length Installed	Gallons (Configured spacing for common tank sizes)
EIM-HS	Hi-Flo Injection Mixing Kit - Small	15"	1 to 5
EIM-HM	Hi-Flo Injection Mixing Kit - Medium	21"	5 to 15
EIM-HL	Hi-Flo Injection Mixing Kit - Large	29"	25 to 55
EIM-HXL	Hi-Flo Injection Mixing Kit - X-Large	57"	275 tote

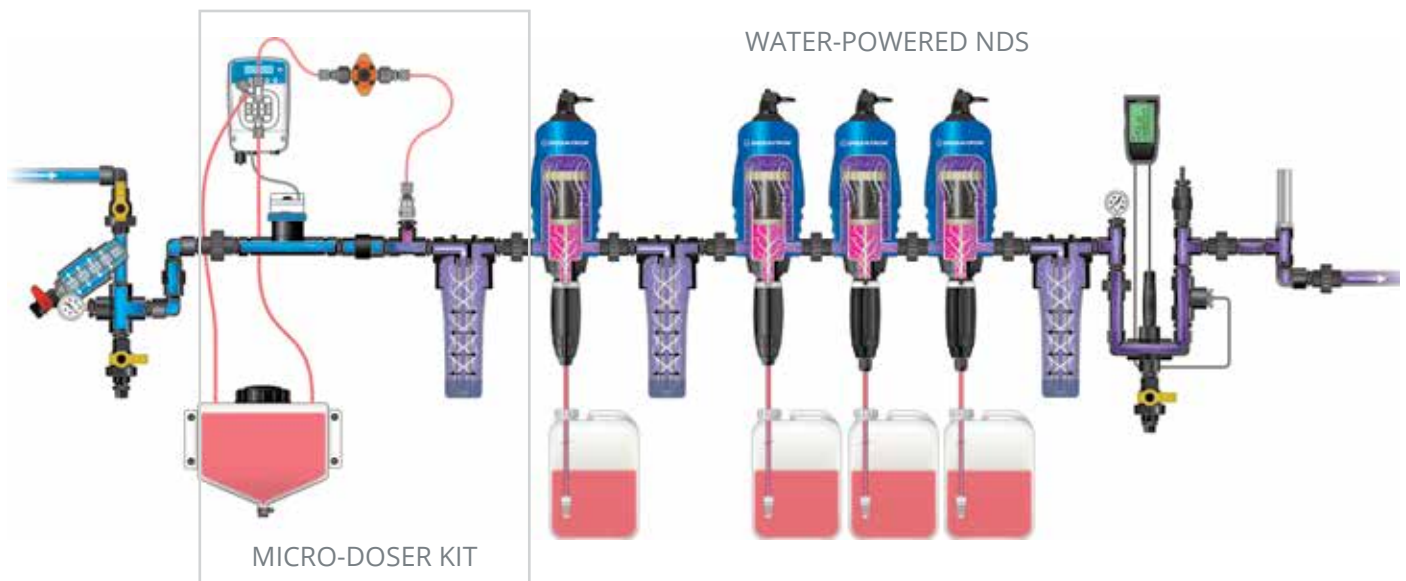
# MICRO-DOSER SYSTEMS


## Lo-Flo and Hi-Flo Series NDS

The Etatron eOne Micro-Doser can accurately inject super-concentrated products and can be integrated into an existing fertigation system. The Micro-Doser is able to hit target rates of many high-value products on the market

These kits can work in combination with a Dosatron Water-Powered NDS, or as a stand-alone solution, to provide the ultimate in reliability and functionality in one system

- Applications include dosing acids (pH down), caustics (pH up), plant health additives, and water treatment products
- Ability to micro-dose down to 0.1 mL per gallon, depending on the flow rate



	Item Number	Description
	<b>MDE0110MF.75KIT</b>	Lo-Flo Micro-Doser Kit Etatron eOne Kit w/ Water Meter & Pressure Relief Valve Connections - 3/4" NPT
	<b>MDE0110MF1.5KIT</b>	Hi-Flo Micro-Doser Kit Etatron eOne Kit w/ Water Meter & Pressure Relief Valve Connections - 1 1/2" NPT

NOTE: Installation illustrations are to be used as a reference guide only



# MEGA-FLO SERIES

## Water-Powered Injectors

Dosatron's Mega-Flo Series  
Fertilizer and Chemical Injectors

# D20S

100 GPM

Non-electric, water-powered

Volumetric and proportional

Perfect for: Fertilizers • Insecticides • Fungicides • Algaecides  
Nutrients • Disinfectants • Compost Tea • Organics • Acids



<b>Dilution Range</b>	1:500 to 1:50 (.2% to 2%)
<b>Water Flow Range</b>	5 to 100 GPM
<b>Operating Pressure Range</b>	2 to 120 PSI
<b>Available Housing Materials</b>	Aluminum (Standard Blue)
<b>Seal Materials</b>	Viton®
<b>Dimensions</b>	55" x 15" (with legs); 42" x 15" (no legs)
<b>Weight</b>	47 lbs
<b>Connection Size</b>	2" NPT
<b>Maximum Temperature</b>	104 °F
<b>Recommended Accessories</b>	200 mesh filter, check valve

Unit includes: Set of legs, manual bypass, 6 ft clear suction tube, strainer, vacuum breaker and operating manual. MAXIMUM TEMPERATURE: 104°F

# MEGA-FLO SERIES

## Water-Powered Injectors

Dosatron's Mega-Flo Series  
Fertilizer and Chemical Injectors

# D132

132 GPM

Non-electric, water-powered

Volumetric and proportional

Externally adjustable injection rate

Built-in bypass

3 inch NPT

Low injection rate model (1:30,000) is perfect  
for direct injection of water treatment chemicals

Perfect for: Fertilizers • Insecticides • Fungicides • Algicides  
Chlorine • Disinfectants • Water Treatment • Caustics • Acids



MODEL	D132WL30000	D132WL5000	D132MZ1
MAX. FLOW	132 GPM	132 GPM	132 GPM
MIN. FLOW	35.2 GPM	35.2 GPM	35.2 GPM
INJECTION PERCENTS	0.003% to 0.03%	0.02% to 0.2%	0.1% to 1%
INJECTION RATIO	1:30,000 to 1:3,000	1:5,000 to 1:500	1:1,000 to 1:100
PRESSURE RANGE	7 - 87 PSI	7 - 87 PSI	7 - 87 PSI
CONNECTIONS	3" NPT	3" NPT	3" NPT

Unit includes: suction hose, weighted strainer, and quick start guide. MAXIMUM TEMPERATURE: 104°F

# D400

400 GPM

Non-electric, water-powered

Volumetric and proportional

Externally adjustable injection rate

Built-in bypass

4 inch flange

Engineered Diversion Technology

Perfect for: Fertilizers • Insecticides • Fungicides • Algaecides

Nutrients • Disinfectants • Compost Tea • Organics • Acids



MODEL	D400MZ02	D400MZ05	D400MZ30000
MAX. FLOW	400 GPM	400 GPM	400 GPM
MIN. FLOW	110 GPM	110 GPM	110 GPM
INJECTION PERCENTS	0.02 to 0.2%	0.1 to 0.5%	0.003 to 0.0125%
INJECTION RATIO	1:5,000 to 1:500	1:1,000 to 1:200	1:30,000 to 1:8,000
PRESSURE RANGE	7.25 to 116 PSI	7.25 to 116 PSI	7.25 to 116 PSI
CONNECTIONS	4" Flange	4" Flange	4" Flange
OPTIONAL ACCESSORY	Flange Kit (Item #: D400FL-KIT) 4" female NPT	Flange Kit (Item #: D400FL-KIT) 4" female NPT	Flange Kit (Item #: D400FL-KIT) 4" female NPT

Unit includes: Built-in bypass, externally adjustable injection rate. MAXIMUM TEMPERATURE 104°F

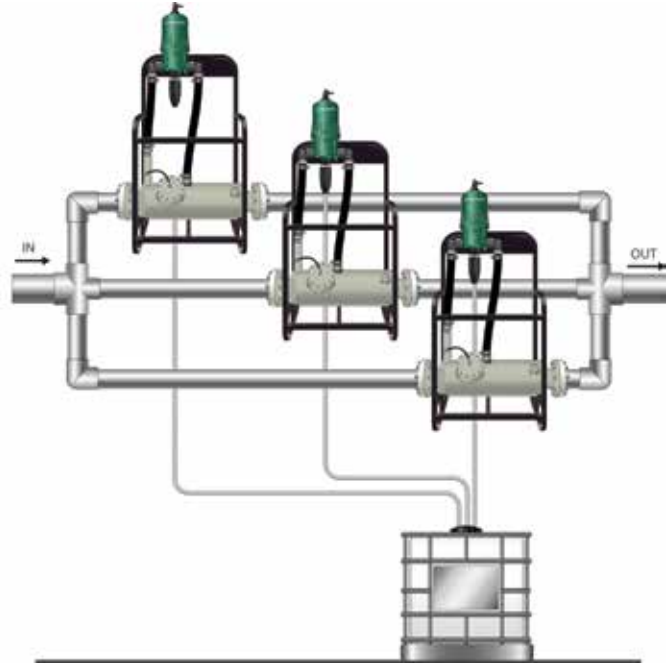
# MEGA-FLO SERIES

## Water-Powered D400 Installation Options

- **PARALLEL INSTALLATION**

Allows for water flow rates up to 1,200 GPM

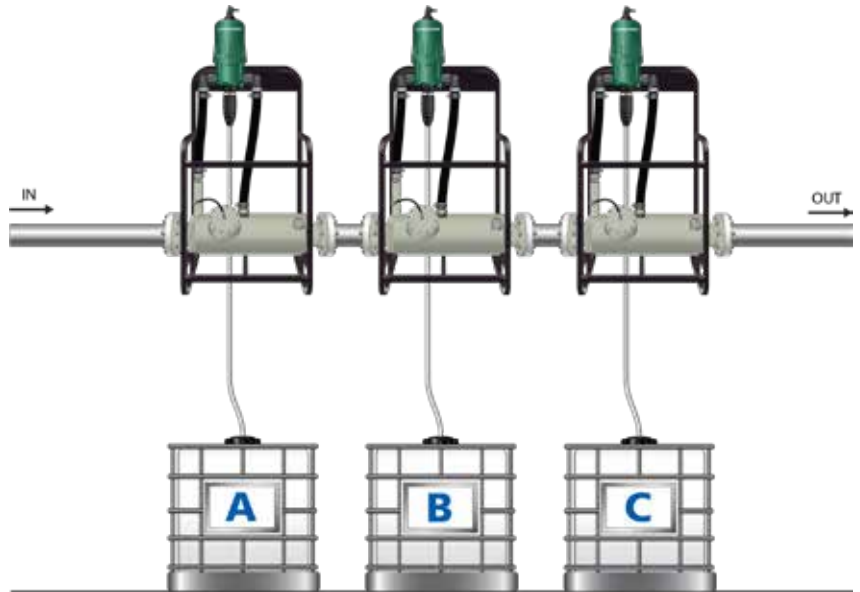
**D400 x 3 - 1200 GPM**



- **SERIES INSTALLATION**

Allows for simultaneous dosing of three different solutions at different dilution rates

**D400 x 3 - 400 GPM**



**NOTE:**

Installation illustrations are to be used as a reference guide only.

Please meet all state and local requirements for backflow prevention.



Dilution Solutions • 2090 Sunnydale Blvd. • Clearwater, FL 33765 • 1-727-451-1198  
**1-800-451-6628 • [www.dosatronusa.com](http://www.dosatronusa.com) / [www.dilutionsolutions.com](http://www.dilutionsolutions.com)**