



# 750W/600W

## MH / HPS

VOLTAGE:

SKU:

120V/240V

ILUM-DE-N756-24

277V

ILUM-DE-6750277

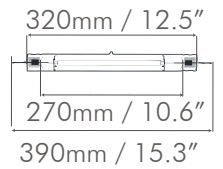
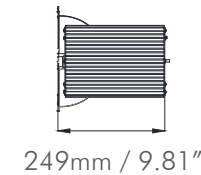
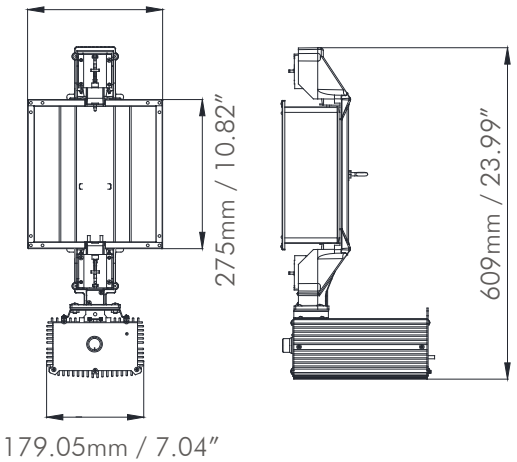
### DE FIXTURE

SPECIFICATIONS	120V	240V	277V
Input Current	7.60A	3.50A	2.91A
Input Power	805W	795W	790W
Rated Main Voltage	120V	240V	277V
Voltage Range	108-264V		249-305V
PPF	1407 $\mu\text{mol/s}$		
THD	<10%		
Controller	0 -10V		
Min Power Factor	0.99		
Crest Factor	<1.7		
Input Connection	IP67 Wieland Plug		
Input Frequency	48 - 63Hz		
BTU Output	3,300 btu		
Relative Humidity	25-70% (Non-condensing)		
Operation Temp.	0 - 35°C / 32-95°F		
Recommended Lamp	750W DE 400V		
Lamp Included	ILUMINAR HPS DE 750W		
Lamp Base	K12 x 30s		
Weight	13.22lbs / 6kg		
Standalone Coverage	5'x4'		
Mounting Height	1.2m / 4'		
Fixture Length	249mm / 9.81"		
Fixture Width	249mm / 9.80"		
Fixture Height	609mm / 23.99"		
Ballast Width	179mm / 7.04"		
Ballast Height	130.5mm / 5.1"		

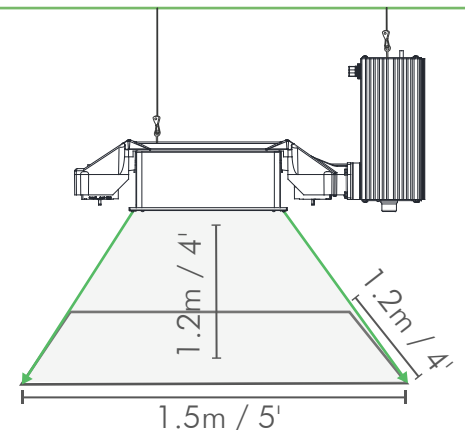


### DIMENSIONS

249mm / 9.80"

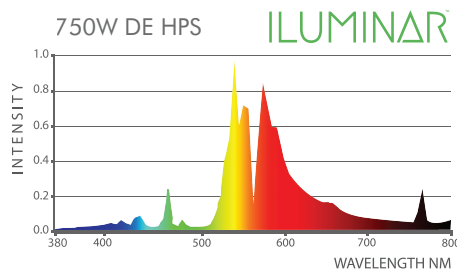
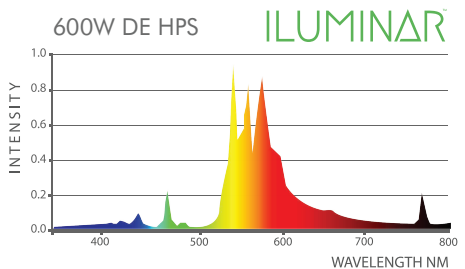


### MOUNTING & COVERAGE



Recommended to use with ILUMINAR Touch or ILUMINAR HASH Controller.

### DE HPS SPECTRUM



View MH Compatible Lamp Spectra at [iluminarlighting.com](http://iluminarlighting.com)



© Copyright 2020 ILUMINAR Lighting  
Subject to change without notice.

Toll Free: