



THE HYBRID™ QUICK START GUIDE

SAFETY CHECK

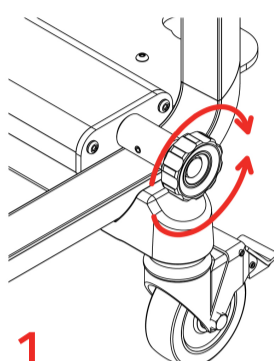
- Tumbler is properly seated
- Brush is installed and locked into place
- All guarding is properly installed
- Tumbler cover is properly installed and magnet is aligned with the Power Pack
- Hopper, chute, and filter bags are properly installed

CHECK USER GUIDE FOR DETAILED INSTRUCTIONS

OPERATION

The Hybrid™ is a continuous throughput trimmer that will continually process product as it's fed. The machine can process up to 40 lbs per hour (wet) and 15 lbs per hour (dry) with one trimming unit.

NOTE: Operate the trimmer in a cool, low-humidity environment for the best results.



1 ADJUST TILT

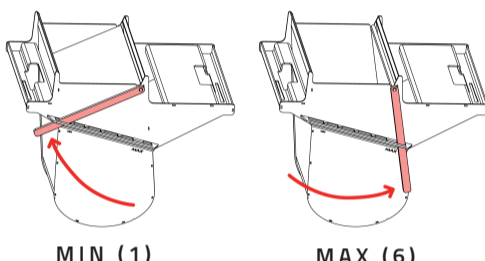
Tilt affects the amount of time that product spends in the trimmer.

- Turn knob clockwise to increase tilt
- Turn knob counter-clockwise to decrease tilt

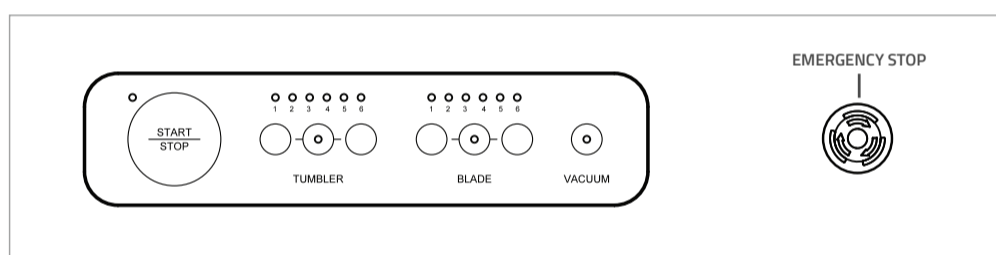
2 START-UP SEQUENCE

- Ensure the lid is seated and the emergency stop is not engaged
- Set vacuum pressure and start the fan motor
- Set speeds and start tumbler and blade motors

VACUUM PRESSURE



CONTROLS



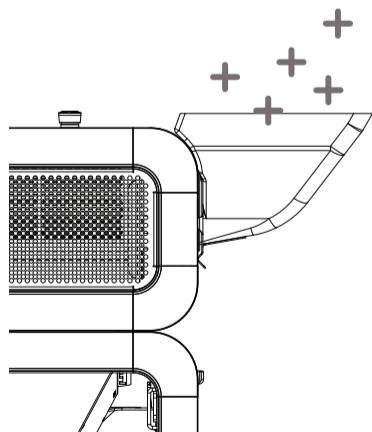
SUGGESTED START SETTINGS

The Trimator Hybrid™ can trim at almost any moisture content. Knowing your moisture levels can help inform your starting settings.

Moisture Content	Machine Tilt	Vacuum Lever Position	Tumbler Speed	Blade Speed
WET (18%+)	2.5 Turns	MAX (6)	3	6
SEMI-DRY (11-18%)	4 Turns	MAX (6)	3	6
DRY (9-11%)	7 Turns	4 to MAX (6)	4	6

3 LOAD FLOWER AND FEED THE TUMBLER

Load bucked and destemmed product into the hopper (or infeed conveyor if applicable). It's best to keep the tumbler 1/4 to 1/3 full of material. Too little material may result in over-trimmed product and too much may result in poor trim quality due to low vacuum suction.



4 CHECK AND ADJUST

Check the quality of the trim from your first batch and adjust settings as needed.

Machine Tilt - Higher tilt moves product through the tumbler faster. Lower tilt allows the product to spend more time in the tumbler.

Vacuum Suction - Higher pressure pulls leaves closer to the blade. Lower pressure can reduce over-trimming the product.

Tumbler Speed - Slower speeds allow more cuts per rotation but can result in product clumping. Higher speeds can result in no product tumbling. Aim for a tumbling wave of product.

Blade Speed - Faster speeds increase cuts per tumbler rotation.

CHECK USER GUIDE FOR TRIM QUALITY TROUBLESHOOTING

CLEANING

With the exception of the Power Pack and the fan motor, the machine can be pressure washed.

REFER TO USER GUIDE FOR CLEANING DETAILS

QUESTIONS?

CONTACT A TRIMINATOR EXPERT

1-530-265-4277

INFO@THETRIMINATOR.COM

THETRIMINATOR.COM

@THETRIMINATOR